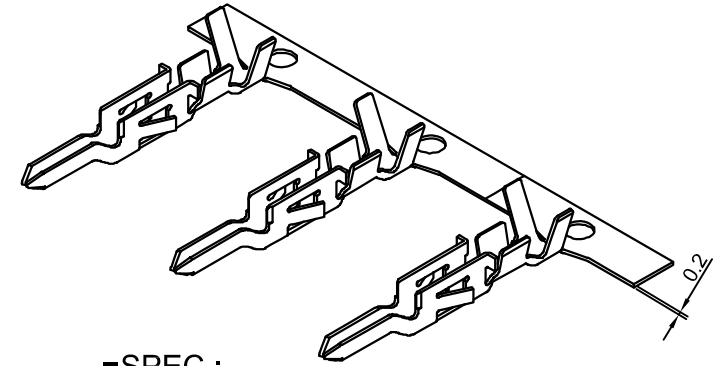
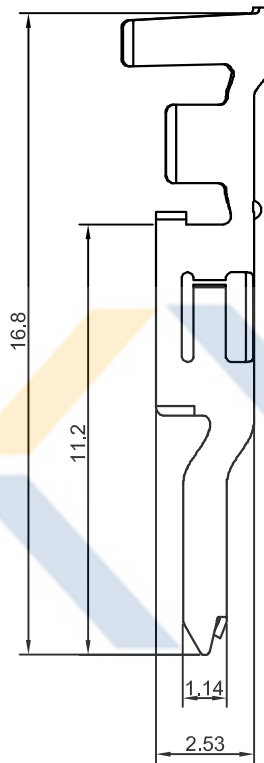
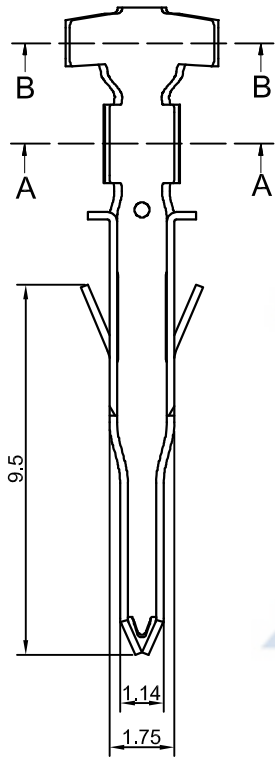


# DRAWING FOR CUSTOMER



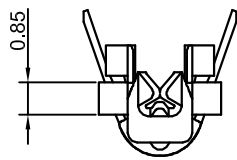
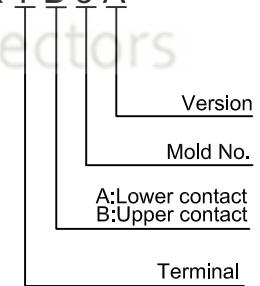
- SPEC.:
- Rated Voltage:300V AC,DC
  - Rated Current:9A AC,DC
  - Withstand Voltage:1500V AC/minute
  - Insulation Resistance:1000MΩ min
  - Contant Resistance:15mΩ Max.
  - Temperature Range:-25℃~+85℃

- Notes:
- Material:Phosphor Bronze
  - Finish:Tin-plated,over Nickel
  - Applicable wire:AWG#16~20

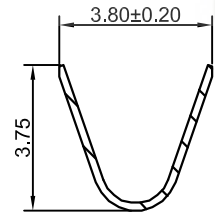
KB971-XXTB3A

- 1:All plated
- 2:Half plated

- Plating
- 0: Tin-plat
  - 1: Gold Plat1u"
  - 2: Gold Plat3u"
  - 3: Gold Plat5u"
  - 8: Gold Plat8u"



SECTION A-A



SECTION B-B

## XYCO PRECISION CONNECTORS

TEL: 0769-8297 9981/2/3 <http://www.XYCO.com.cn>

				TOLERANCE 公差		DRAWING 设计者		Devin		KB971-XXTB3A					
2013-07-30		A		.X=±0.30 .XX=±0.20 .XXX=±0.10		CHECKED 审查		Thomas		PART NO. 料号		UNIT 单位		mm	
DATE 日期	VER 版本	CHANGE HISTORY 变更历史	CHANGED NAME 修改后料号	DRAWING 变更者	APPROVED 核准		William		DWG NO. 图号	PE1903005A	PRODUCT NAME 产品名称		5559 4.2mm Upper contact Terminal-Male		
1	2	3	4	5	6	7	8	9							