

DRAWING FOR CUSTOMER

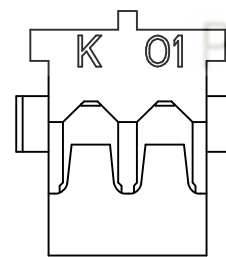
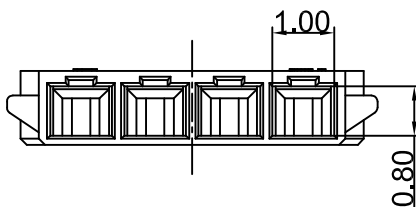
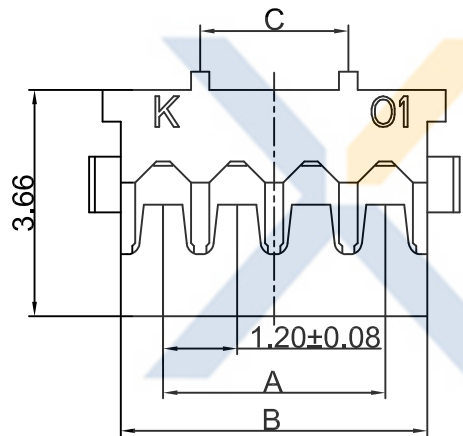
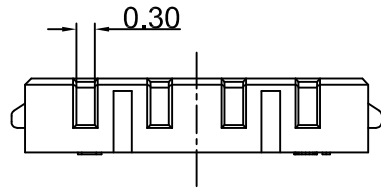
KB1202-X X H 5 A

Pin No.

Version

Housing

Mold No.



2P视图

■SPEC.:

- Rated Voltage:50V AC,DC
- Rated Current:1.5A AC,DC
- Withstand Voltage:500V AC/minute
- Contact Resistance:20mΩ max
- Insulation Resistance:100MΩ min
- Temperature Range:-25℃~+85℃
- Housing
- Material:Nylon46 UL94V-0

Poles	Dimensions		
	A	B	C
2	1.20	2.60	—
3	2.40	3.80	1.20
4	3.60	5.00	2.40
5	4.80	6.20	3.60
6	6.00	7.40	4.80
7	7.20	8.60	6.00

XYCO PRECISION CONNECTORS

TEL: 0769-8297 9981/2/3 <http://www.XYCO.com.cn>

2015-07-16		A			KB1202-XXH5A	Devin	KB1202-XXH5A		UNIT		mm		PRODUCT NAME		ACHR 1.2mm Wire To Board Housing	
DATE	日期	VER	版本	CHANGE HISTORY	變更歷史	CHANGED NAME	修改後料號	DRAWING	變更者	TOLERANCE	公差	DRAWING	設計者	Devin	PART NO. 料號	
										.X=±0.30		CHECKED	審查	Thomas	DWG NO. 圖號	
										.XX=±0.20		APPROVED	核准	William	PE1808007A	
										.XXX=±0.10						