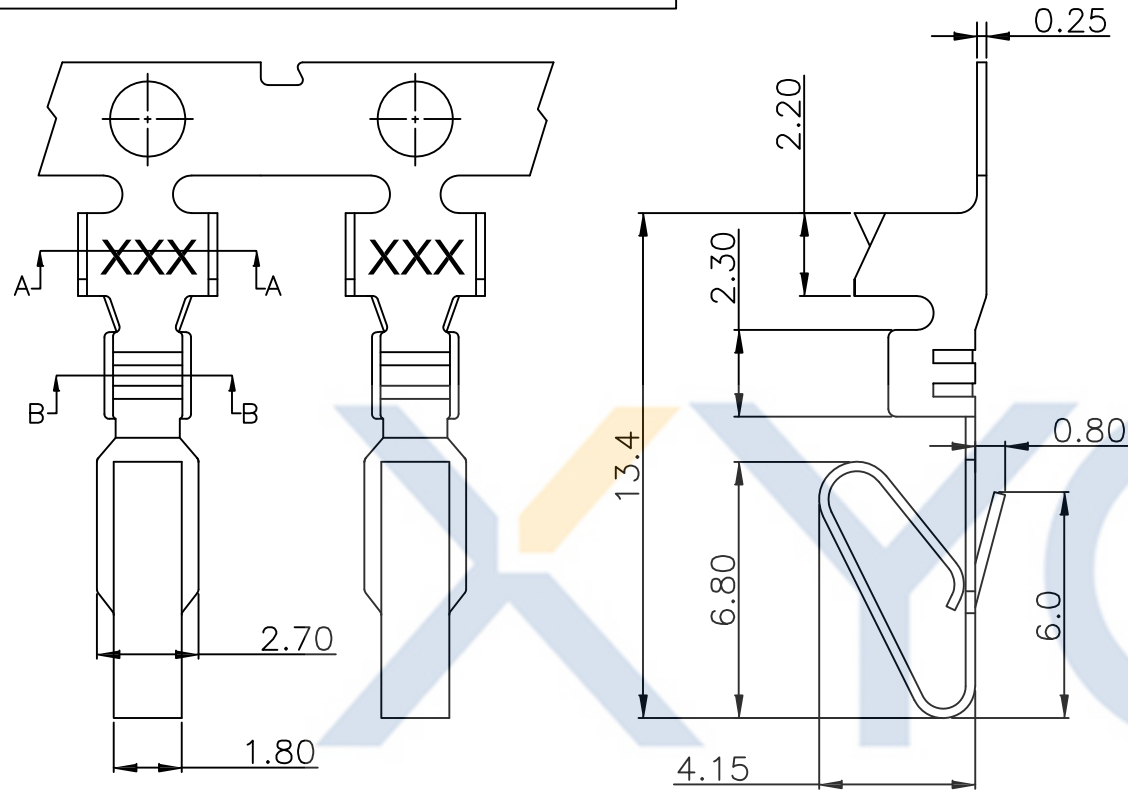


DRAWING FOR CUSTOMER

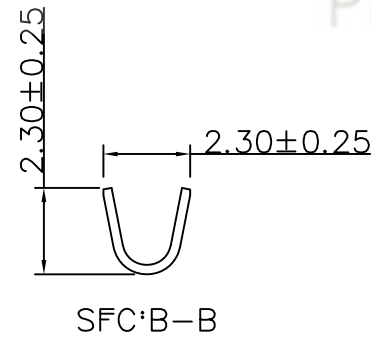
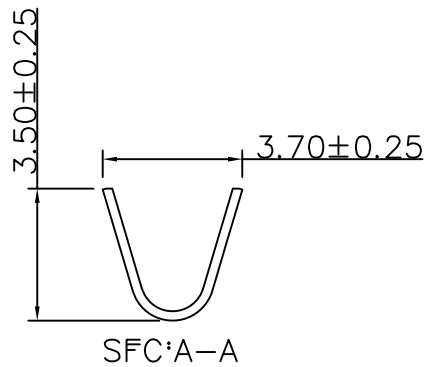


■ TERNINAL:

- Material: Phosphor Bronze
- Finish: Tin-plated, over Nickel
- Applicable wire: AWG#18~#24
- Thickness: 0.25 ± 0.05mm

KB965-XXT3A		Version
1: All plated	2: Half plated	Mold No.
Plating		
0: Tin-plat	1: Gold Plat1u"	Terminal
2: Gold Plat3u"	3: Gold Plat5u"	

Precision Connectors



XYCO PRECISION CONNECTORS

TEL: 0769-8297 9981/2/3 <http://www.XYCO.com.cn>

2015-08-20		A	CHANGE HISTORY 變更歷史	KB965-XXT3A	John	TOLERANCE 公差	DRAWING 設計者	John	KB965-XXT3A		UNIT 單位		PRODUCT NAME 產品名稱	MOLEX3.96 TER
DATE 日期	VER 版本	CHANGED NAME 修改後料號				DRAWING 變更者	.X=±0.30 .XX=±0.20 .XXX=±0.10	CHECKED 審查	Thomas	PART NO. 料號	mm			
							APPROVED 核准	William	DWG NO. 圖號	PE1710021A				