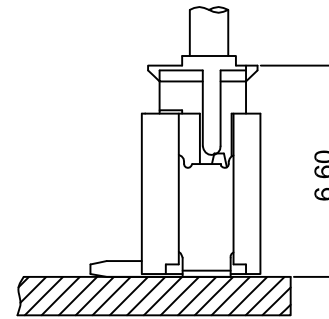
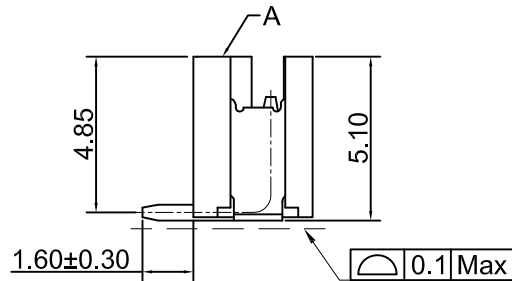
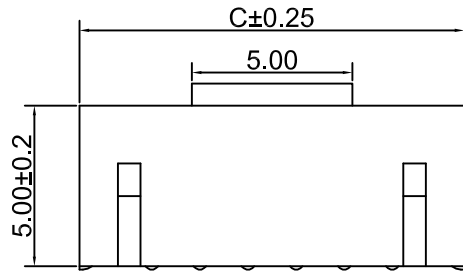
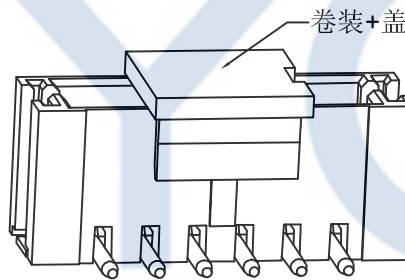
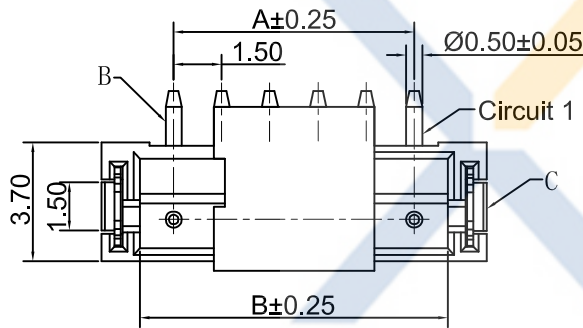


DRAWING FOR CUSTOMER



Assembly Layout



■SPEC.:

- Rated Voltage:125V AC,DC
- Rated Current:1.0A AC,DC
- Withstand Voltage:500V AC/minute
- Contact Resistance:20mΩ max
- Insulation Resistance:500MΩ min
- Temperature Range:-25℃~+105℃

■Material :

- Insulator(A): LCP/PA9T UL94V-0
- Contact Pin(B):Brass
Finish: Tin-Plated;over Nickel
- Solder Tab(C): Phosphor Bronze
Finish: Tin-Plated;over Nickel

KB924-XX X S V 6 A

Pin No.

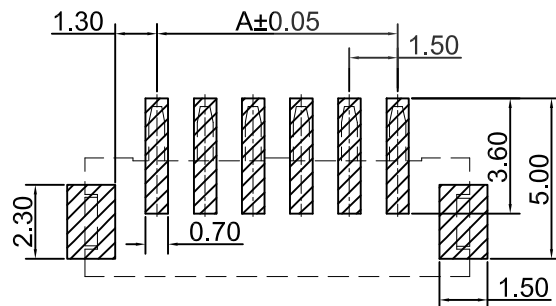
包装方式:

- T:TUBE (管装)
- R:REEL (卷装)
- P: PE (袋装)

Version
Mold No.
R:Right Angle
V:Vertical

S:SMT
D:DIP

Poles	Dimensions(mm)		
	A	B	C
02	1.50	3.60	6.00
03	3.00	5.10	7.50
04	4.50	6.60	9.00
05	6.00	8.10	10.50
06	7.50	9.60	12.00
07	9.00	11.10	13.50
08	10.50	12.60	15.00
09	12.00	14.10	16.50
10	13.50	15.60	18.00
11	15.00	17.10	19.50
12	16.50	18.60	21.00
13	18.00	20.10	22.50
14	19.50	21.60	24.00
15	21.00	23.10	25.50
16	22.50	24.60	27.00



SUGGESTED PCB LAYOUT

XYCO 东莞市轩业电子科技有限公司
TEL: 0769-8297 9981/2/3 <http://www.XYCO.com.cn>

2015-10-15		A	CHANGE HISTORY 變更歷史	CHANGED NAME 修改後料號	DRAWING 變更者	TOLERANCE 公差	DRAWING 設計者	Devin	KB924-XXXSV6A		UNIT 單位		PRODUCT NAME 產品名稱	ZH PH1.50mm Wire To Board SMT Vertical Wafer		
DATE 日期	VER 版本	2015-10-15				.X=±0.30 .XX=±0.25 .XXX=±0.15	CHECKED 審查	Thomas	PART NO. 料號	mm	PART NO. 料號				mm	
							APPROVED 核准	William	DWG NO. 圖號	PE1902003A	DWG NO. 圖號				PE1902003A	