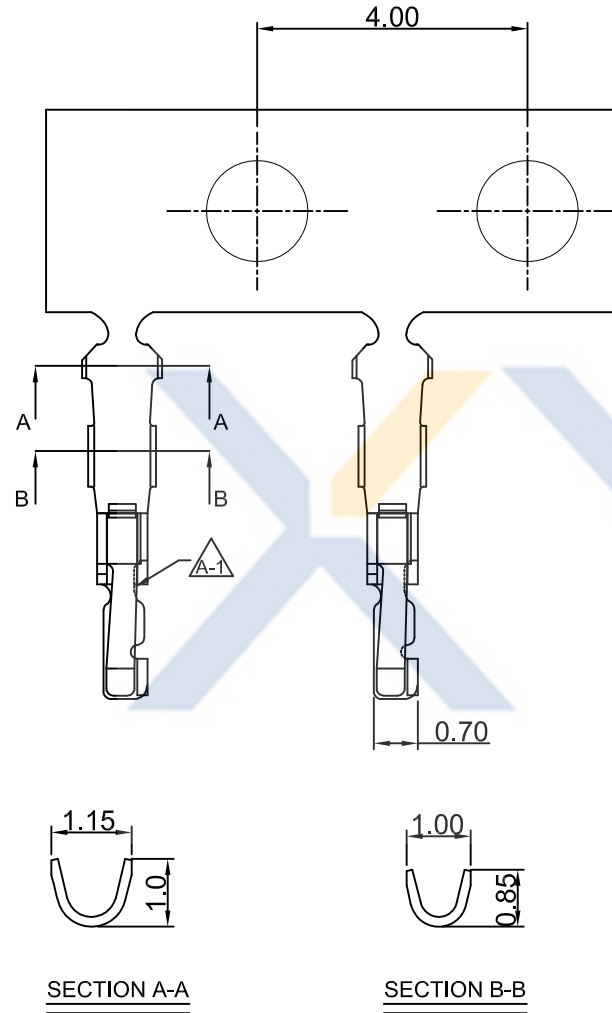


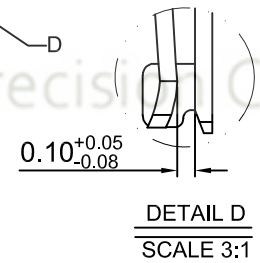
# DRAWING FOR CUSTOMER



- SPEC.:
- Rated Voltage:100V AC,DC
  - Rated Current:1A AC,DC
  - Withstand Voltage:300V AC/minute
  - Contact Resistance:30mΩ max
  - Insulation Resistance:500MΩ min
  - Temperature Range:-35℃~+85℃

- Terminal:
- Material:Phosphor Bronze C5191
  - Finish:Gold plated ,over Nickel
  - Applicable wire:AWG#28~32
  - QTY.:20KPCS/Plate

KB906-X X T 2 A		
1:All plated		Version
2:Half plated		
Plating		Mold No.
0:Tin-plated		
1:Gold Plat 1u"		
2:Gold Plat 3u"		Terminal
3:Gold Plat 5u"		



**XYCO** 东莞市轩业电子科技有限公司  
 TEL: 0769-8297 9981/2/3 <http://www.XYCO.com.cn>

2020-06-21	A-1	产品优化	KB906-XXT2A	Devin	TOLERANCE 公差	DRAWING 設計者	Devin	KB906-XXT2A		UNIT 單位	mm	PRODUCT NAME 產品名稱	DF19 PH1.0mm Wire To Board Terminal
2020-05-25	A	新模; 结构优化	KB906-XXT2A	Devin	.X=±0.30 .XX=±0.20 .XXX=±0.10	CHECKED 審查	Thomas	PART NO. 料號					
DATE 日期	VER 版本	CHANGE HISTORY 變更歷史	CHANGED NAME 修改後料號	DRAWING 變更者		APPROVED 核准	William	DWG NO. 圖號	PE1708008A				