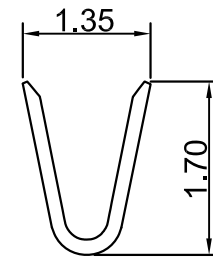
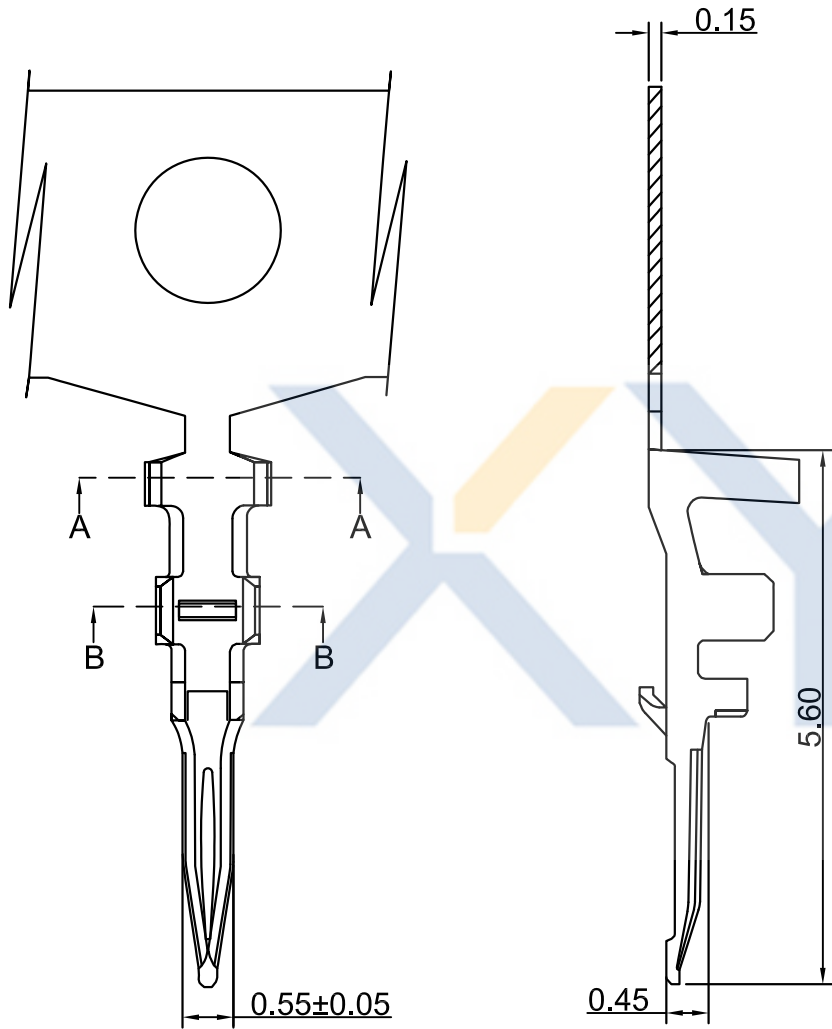
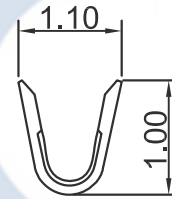


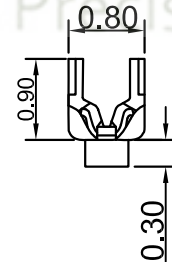
DRAWING FOR CUSTOMER



Section:A-A



Section:B-B



- SPEC.:
- Rated Voltage:125V AC,DC
 - Rated Current:1A AC,DC
 - Withstand Voltage:800V AC/minute
 - Contact Resistance:10mΩ max
 - Insulation Resistance:100MΩ min
 - Temperature Range:-25℃~+85℃

- Terminal:
- Material:Phosphor Bronze
 - Finish:Tin-plated,over Nickel
 - Applicable wire:AWG#28~32
 - QTY.:15KPCS/Reel

KB910-X X T 4 A

- 1:All plated
- 2:Half plated

Plating

- 0: Tin-plated
- 1: Gold Plated1u"
- 2: Gold Plated3u"
- 3: Gold Plated5u"

Version

Mold No.

Terminal

XYCO 东莞市轩业电子科技有限公司
TEL: 0769-8297 9981/2/3 <http://www.XYCO.com.cn>

				TOLERANCE 公差		DRAWING 設計者		Devin		KB910-XXT4A	
2015-06-28		A		.X=±0.30 .XX=±0.20 .XXX=±0.10		CHECKED 審查		Thomas		PART NO. 料號	
DATE 日期		VER 版本		CHANGE HISTORY 變更歷史		CHANGED NAME 修改後料號		DRAWING 變更者		DWG NO. 圖號	
1		2		3		4		5		6	

UNIT 單位	mm	PRODUCT NAME 產品名稱	50061 PH1.25mm Wire To Board Terminal
APPROVED 核准		William	
PE1706008A			
7		8	