

DRAWING FOR CUSTOMER

KB402- XX X S R X A

Pin No.

T:TUBE 管裝
R:REEL 卷裝
P:PE 袋裝

Version

Mold No.

R:Right Angle

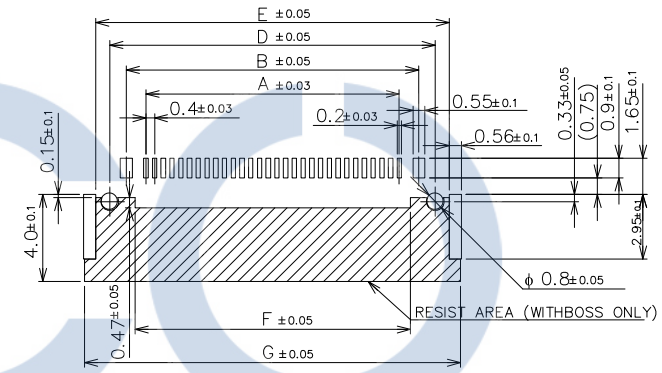
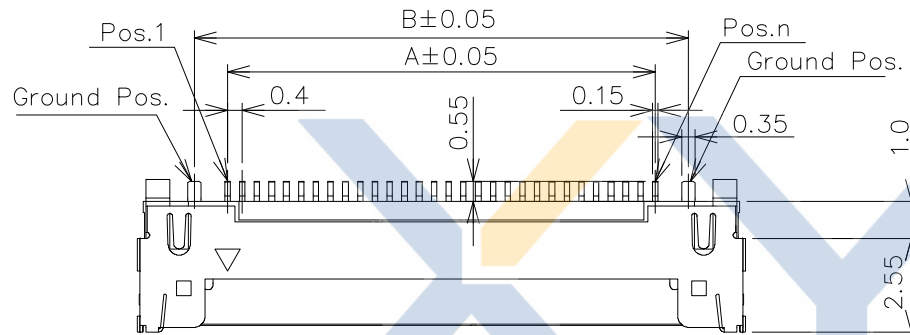
V:Vertical

S:SMT

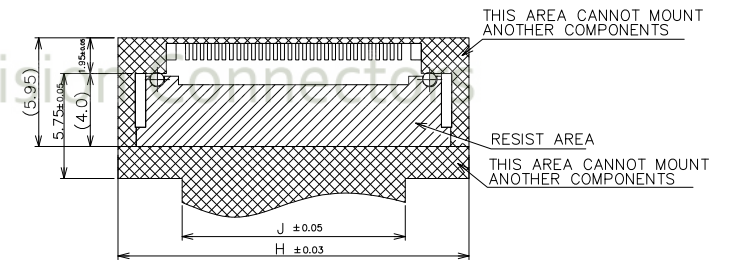
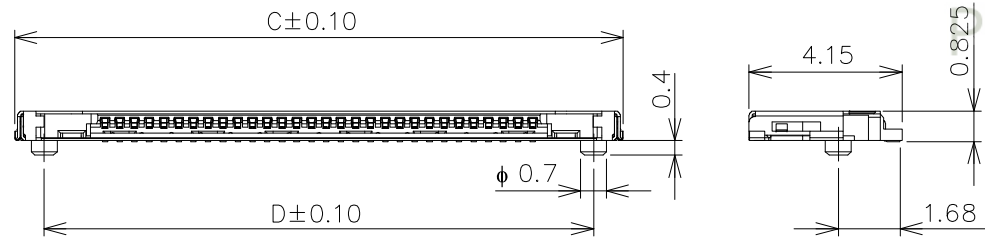
D:DIP

■Notes:

- Material and finish
- Housing:LCP UL94-V0
- Terminal:Phospher bronze
- Plating:contact area Gold 5u"min.
solder area bright Tin 75-150u".
overall with 50-150u"Nickel under plated.
- Shell:Phospher bronze
- Plating:solder area plated with Gold 4u"min.
overall Nickel 10u"-50u"under plated.



RECOMMENDED FOOTPRINT PATTERN



COMPONENTS PROHIBITED AREA

CKT.	A	B	C	D	E	F	G	H	J
30p	11.6	13.4	16.5	14.9	16.18	12.59	17.2	19.2	12.2
40p	15.6	17.4	20.5	18.9	20.18	16.59	21.2	23.2	16.2

XYCO PRECISION CONNECTORS

TEL: 0769-8297 9981/2/3 <http://www.XYCO.com.cn>

DATE 日期		VER 版本	CHANGE HISTORY 變更歷史	CHANGED NAME 修改後料號	DRAWING 變更者	TOLERANCE 公差	DRAWING 設計者	譚火秦	KB402-XXXXSRXA		UNIT 單位	mm	PRODUCT NAME 產品名稱	I-PEX 20473 PH0.4mm LVDS connector Wafer
2011-08-16		A		KB402-XXXXSRXA	譚火秦	.X=±0.30 .XX=±0.20 .XXX=±0.10	CHECKED 審查	楊峰	PART NO. 料號	PE0605A	mm			
							APPROVED 核准	譚宏	DWG NO. 圖號					