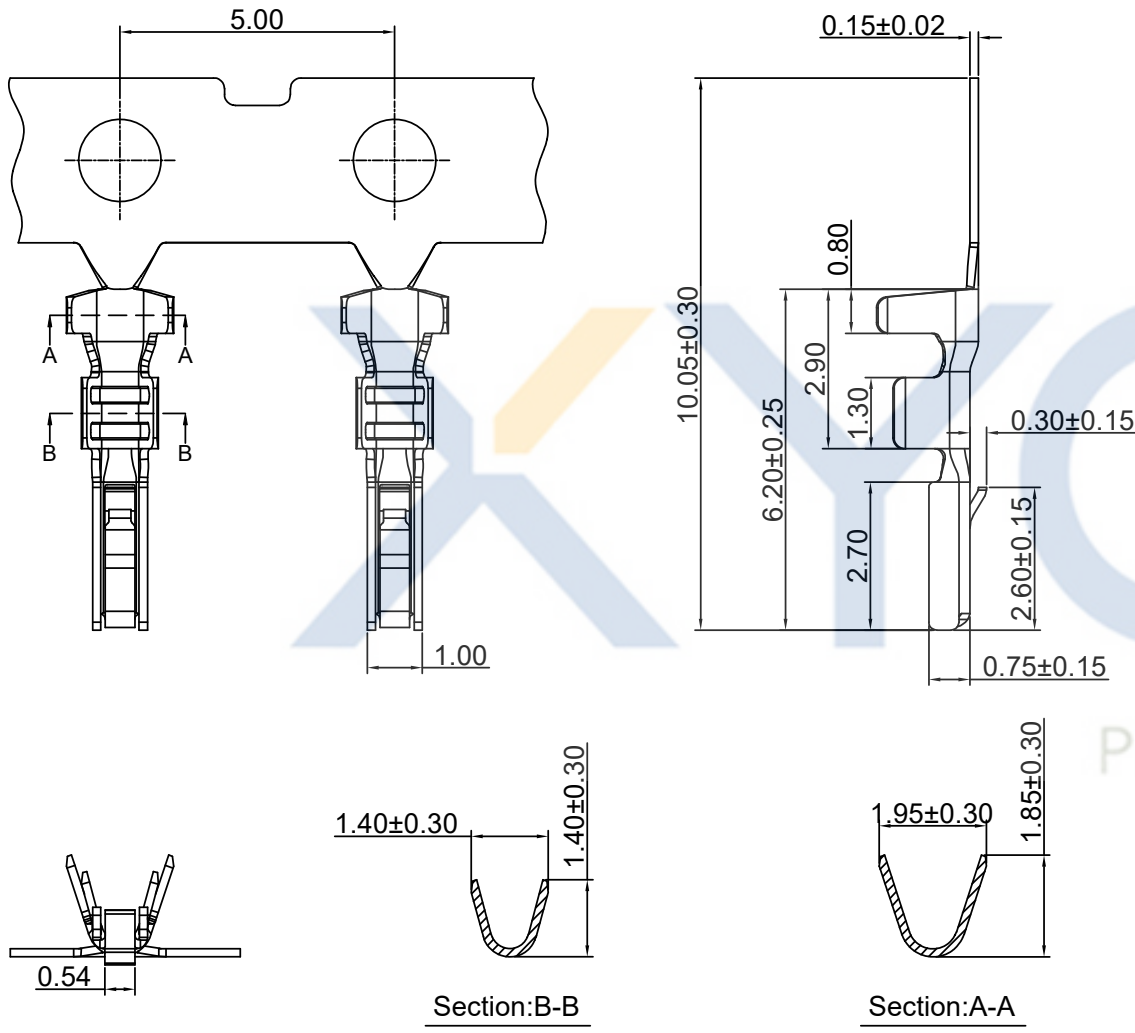


DRAWING FOR CUSTOMER



- SPEC.:
- Rated Voltage:100V AC,DC
 - Rated Current:2A AC,DC(AWG24#)
 - Withstand Voltage:500V AC/minute
 - Contact Resistance:20mΩ max
 - Insulation Resistance:500MΩ min
 - Temperature Range:-25℃~+85℃

- Terminal:
- Material:Phosphor Bronze
 - Finish:Tin-plated,over Nickel
 - Applicable wire:AWG#24~28

XY15001-X X T 2 A

1:All plated
2:Half plated

Version

Plating

0: Tin-plat
1: Gold Flash
2: Gold Plat3u"
3: Gold Plat5u"

Mold No.

Terminal

Precision Connectors

2021-03-17		A	CHANGE HISTORY 變更歷史	XY15001-XXT2A	Devin	TOLERANCE 公差	DRAWING 設計者	Devin	XY15001-XXT2A		UNIT 單位		PRODUCT NAME 產品名稱	ZE PH1.50mm Wire To Board Terminal
DATE 日期	VER 版本	CHANGED NAME 修改後料號				DRAWING 變更者	.X=±0.30 .XX=±0.20 .XXX=±0.10	CHECKED 審查	Thomas	PART NO. 料號	mm			
							APPROVED 核准	William	DWG NO. 圖號	PE210908A	mm			

XYCO 东莞市轩业电子科技有限公司
TEL: 0769-8297 9981/2/3 http://www.XYCO.com.cn