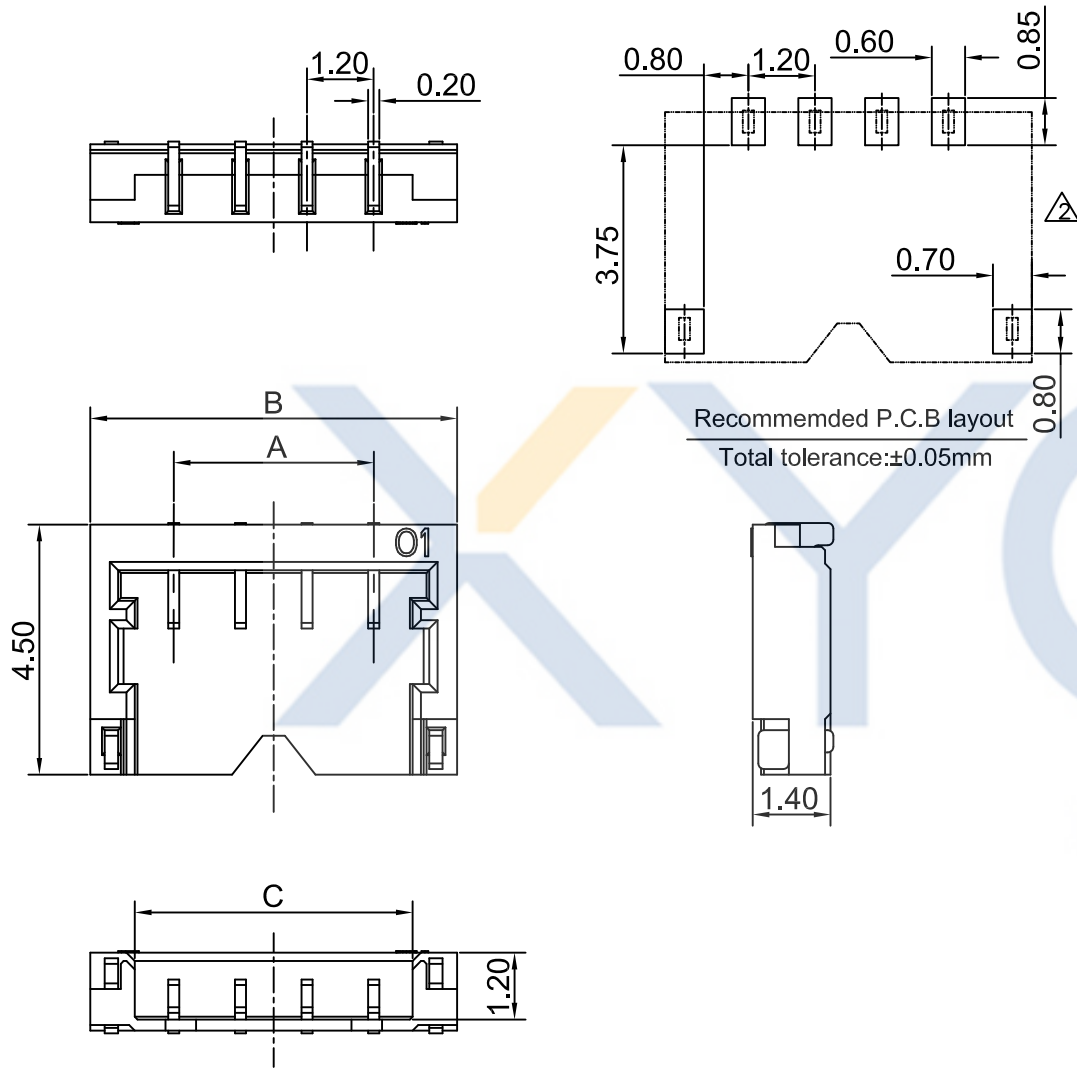


# DRAWING FOR CUSTOMER



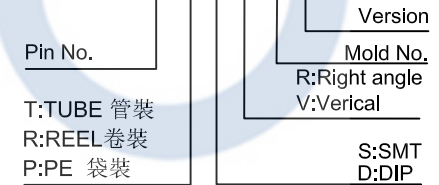
## ■SPEC.:

- Rated Voltage:50V AC,DC
- Rated Current:1.5A AC,DC
- Withstand Voltage:500V AC/minute
- Contact Resistance:20mΩ max
- Insulation Resistance:100MΩ min
- Temperature Range:-25℃~+85℃

## ■Material

- Insulator(A):PA9T UL94V-0
- Contact(B):Phosphor Bronze  
Finish:Gold-Plated,over Nickel
- Solder Tab(C):Brass  
Finish:Matte Tin-Plated,over Nickel

KB1201- XX X S R 5 A



Poles	Dimensions (mm)		
	A	B	C
02	1.20	4.30	2.64
03	2.40	5.50	3.84
04	3.60	6.70	5.04
05	4.80	7.90	6.24
06	6.00	9.10	7.44
07	7.20	10.30	8.64

**XYCO** 东莞市轩业电子科技有限公司  
TEL: 0769-8297 9981/2/3 <http://www.XYCO.com.cn>

DATE 日期	VER 版本	CHANGE HISTORY 變更歷史	CHANGED NAME 修改後料號	DRAWING 變更者	TOLERANCE 公差	DRAWING 設計者	Devin
2013-09-20	A		KB1201-XXXSR5A	Devin	.X=±0.30 .XX=±0.20 .XXX=±0.10	CHECKED 審查	Thomas
						APPROVED 核准	William

KB1201-XXXSR5A

PART NO. 料號

DWG NO. 圖號

PE1801004A

UNIT

mm

PRODUCT NAME

產品名稱

78171 PH1.20mm Wire To Board  
SMT Right Angle Wafer