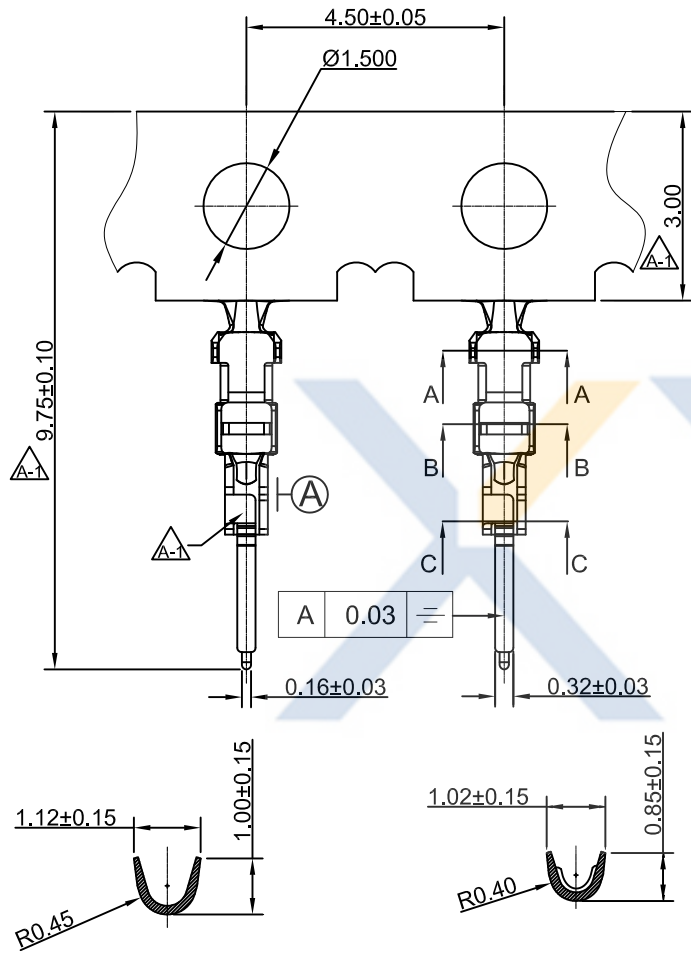
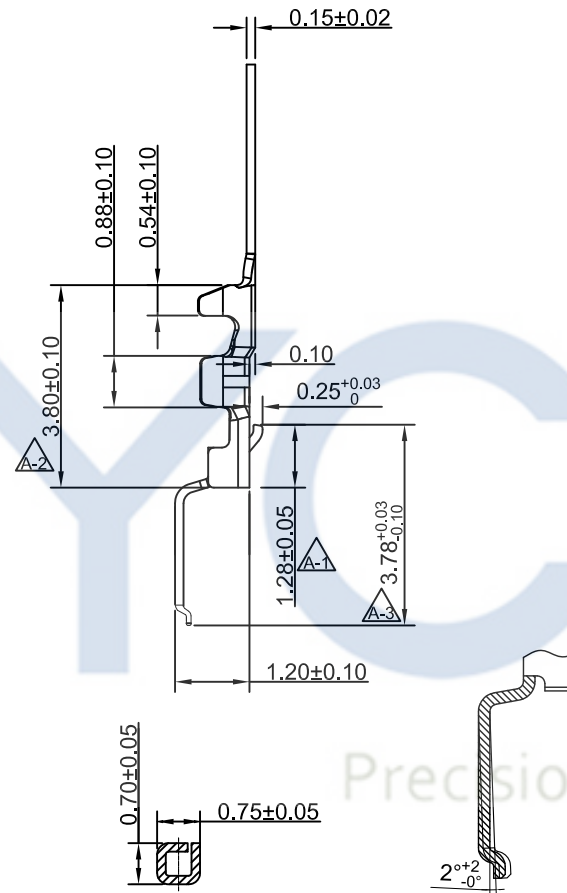


DRAWING FOR CUSTOMER



SECTION A-A

SECTION B-B



SECTION C-C

- SPEC.:
- Rated Voltage:200V AC,DC
 - Rated Current:0.8 A AC,DC
 - Withstand Voltage:500V AC/minute
 - Contact Resistance:40mΩ max
 - Insulation Resistance:100MΩ min
 - Temperature Range:-40℃~+85℃

- Terminal
- Material:Phosphor Bronze C5191
 - Finish:Gold-plated,over Nickel
 - Applicable wire:AWG#28~32
Insulation OD:0.6mm(MAX)
 - QTY.:20KPCS/Reel

KB904-XXTB2A

- 1:All plated
2:Half plated

Plating

- 0: Tin-plat
1: Gold Plat1u"
2: Gold Plat3u"
3: Gold Plat5u"
8: Gold Plat8u"

Version

Mold No.

A:Lower contact
B:Upper contact

Terminal

2017-09-08	A-3	优化尺寸, 优化产品	KB904-XXTB2A	Devin
2016-12-03	A-2	L=3.80±0.05变更为 L=3.80±0.10(公差调整)	KB904-XXTB2A	Devin
2016-11-12	A-1	优化尺寸, 优化产品	KB904-XXTB2A	Devin
2014-08-13	A	新模端子, 优化改进	KB904-XXTB2A	Devin
DATE 日期	VER 版本	CHANGE HISTORY 變更歷史	CHANGED NAME 修改後料號	DRAWING 變更者

TOLERANCE 公差	DRAWING 設計者	Devin	KB904-XXTB2A
.X=±0.30 .XX=±0.20 .XXX=±0.10	CHECKED 審查	Thomas	PART NO. 料號
	APPROVED 核准	William	DWG NO. 圖號
			PE2315A

XYCO 东莞市轩业电子科技有限公司
TEL: 0769-8297 9981/2/3 http://www.XYCO.com.cn

UNIT 單位	mm	PRODUCT NAME 產品名稱	FI-RE PH0.5mm Wire To Board Upper contact Terminal
------------	----	----------------------	---