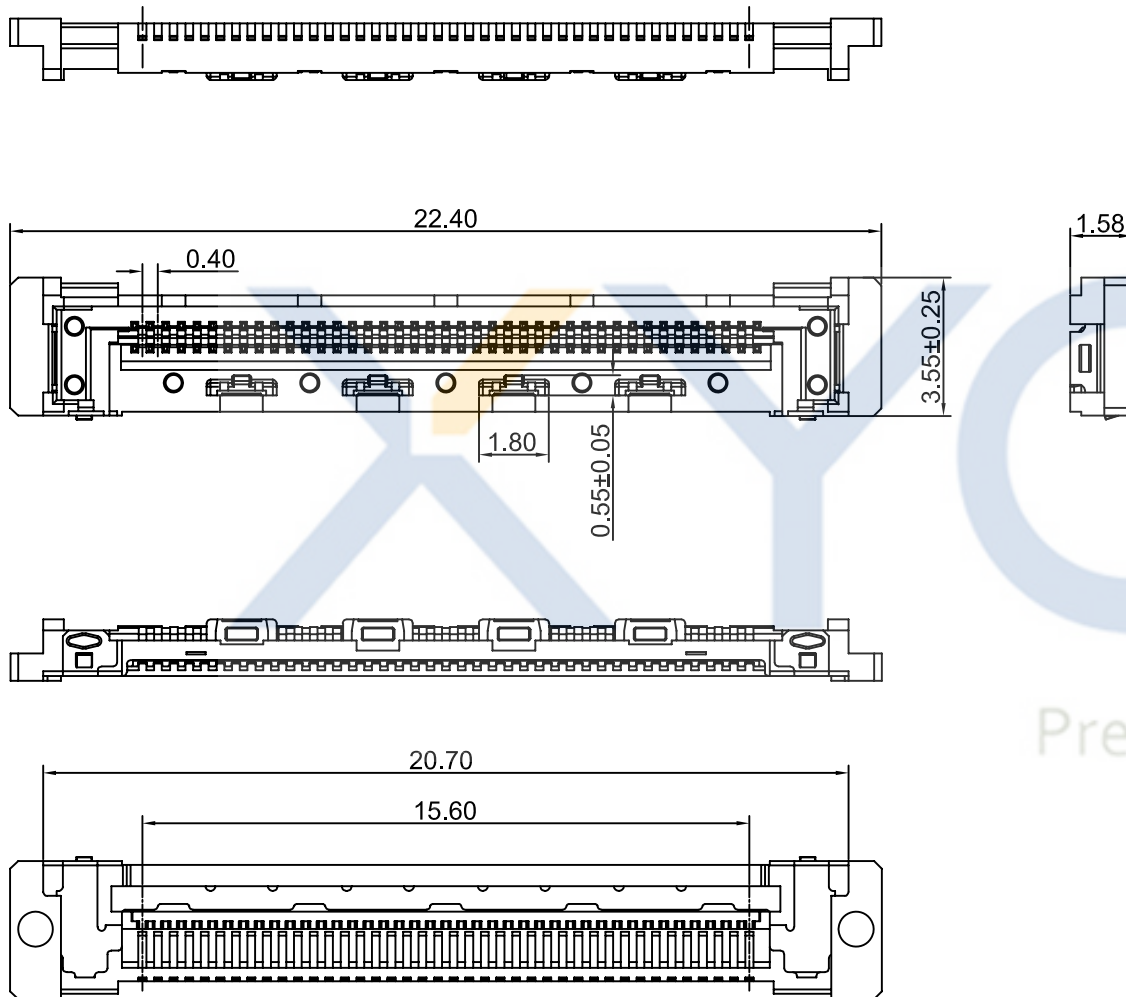


DRAWING FOR CUSTOMER



- SPEC.:
- Rated Voltage:100V AC,DC
 - Rated Current:0.25A AC,DC
 - Withstand Voltage:200V AC/minute
 - Contact Resistance:100mΩ max
 - Insulation Resistance:100MΩ min
 - Temperature Range:-40℃~+85℃

- Material:
- Insulator:LCP UL94V-0,Black
 - Contact Pin: Copper alloy
Finish:Gold-plated,over Nickel
 - Shell:Stainless steel
Finish:Gold-plated ,over Nickel.

KB405- 40 H 4 A

Pin No.

Version

Housing

Mold No.

Precision Connectors

XYCO 东莞市轩业电子科技有限公司
TEL: 0769-8297 9981/2/3 <http://www.XYCO.com.cn>

					TOLERANCE 公差	DRAWING 設計者	Devin	KB405-40H4A			
2014-02-21	A	CHANGE HISTORY 變更歷史	KB405-40H4A	Devin	.X=±0.30	CHECKED 審查	Thomas	UNIT	mm		
DATE 日期	VER 版本				CHANGED NAME 修改後料號	DRAWING 變更者	.XX=±0.20	APPROVED 核准	William	PRODUCT NAME	USLS PH0.40mm 40PIN Wire To Board Connector
							.XXX=±0.10	DWG NO. 圖號	PE2108008A	產品名稱	

