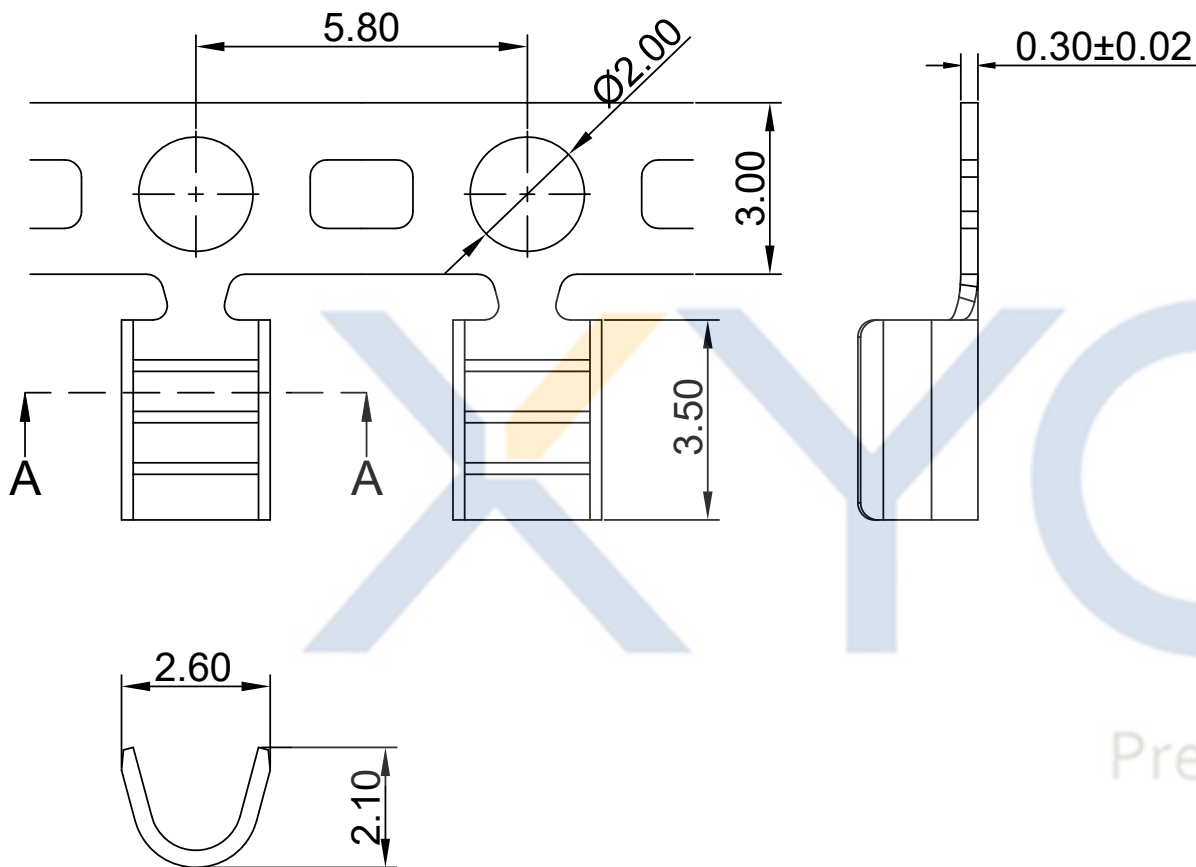


# DRAWING FOR CUSTOMER



- Notes:
- Material:Brass
  - Appearance: Terminal cannot scratched or oxidized.
  - RoHS Pass or Fulfilled Customer's Requirement
  - Applicable Wires:18-22AWG
  - Pack Q'TY:12000PCS/REEL

XY1021-XXXT1A

1:All plated  
2:Half plated

Plating  
0: Tin-plat  
1: Gold Flash  
2: Gold Plat3u"  
3: Gold Plat5u"

Version

Mold No.

Terminal

Section:A-A

**XYCO** 东莞市轩业电子科技有限公司  
TEL: 0769-8297 9981/2/3 <http://www.XYCO.com.cn>

				TOLERANCE 公差		DRAWING 設計者		Devin		XY1021-XXT1A							
2023-02-21		A		XY1021-XXT1A		Devin		CHECKED 審查		Thomas		PART NO. 料號		UNIT 單位			
DATE 日期		VER 版本		CHANGE HISTORY 變更歷史		CHANGED NAME 修改後料號		DRAWING 變更者		APPROVED 核准		William		mm		PRODUCT NAME 產品名稱	
										DWG NO. 圖號		PE210208A				U型连接端子	