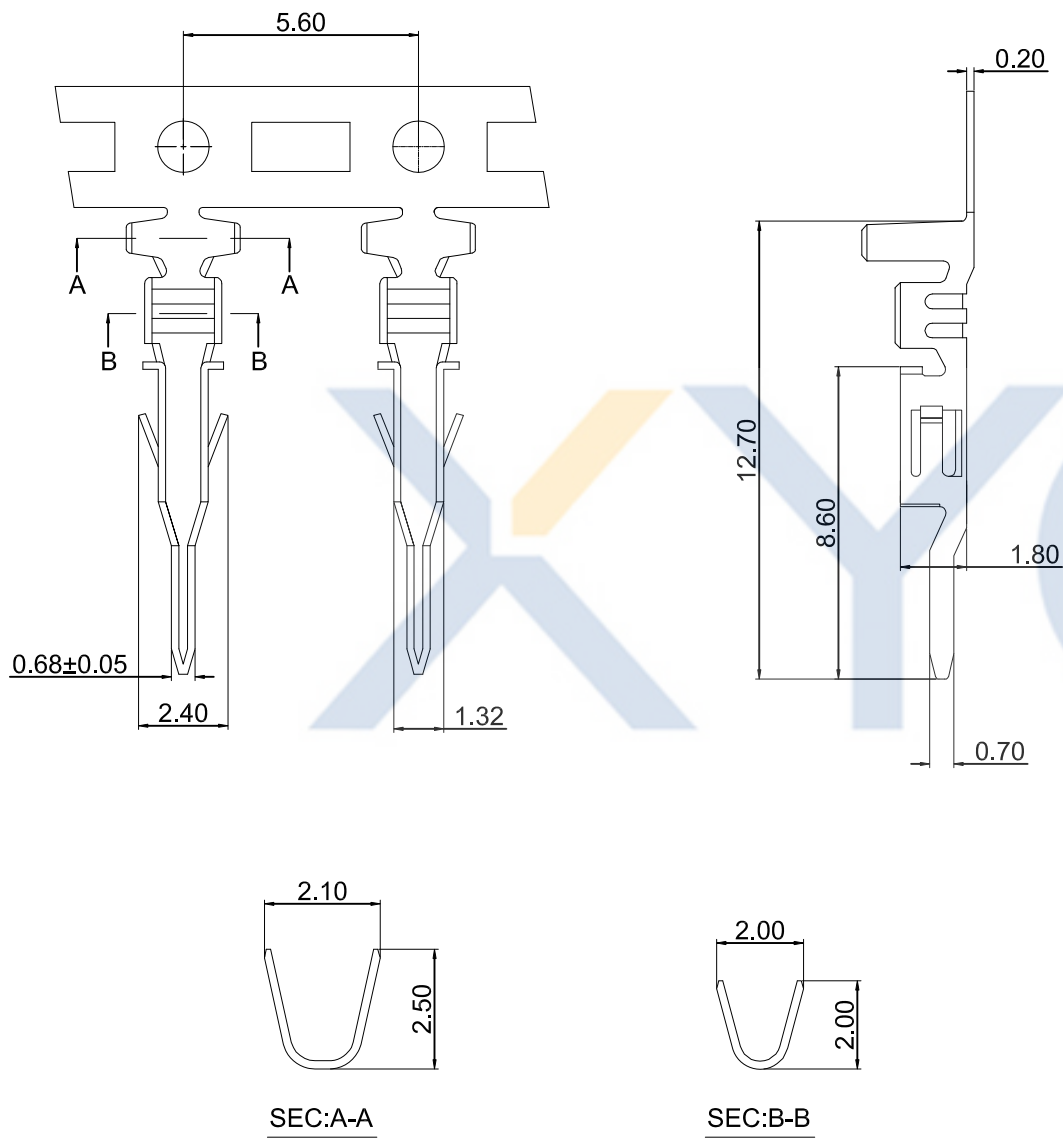


DRAWING FOR CUSTOMER



- SPEC.:
- Rated Voltage:250V AC,DC
 - Rated Current:5A AC,DC
 - Withstand Voltage:1000V AC/minute
 - Contact Resistance:10mΩ max
 - Insulation Resistance:1000MΩ min
 - Temperature Range:-25℃~+85℃

- Terminal:
- Material:Phosphor Bronze
 - Finish:Tin-plated ,over Nickel
 - Applicable wire:AWG#20~24
 - QTY.:10KPCS/Reel

KB9302-X X T 6 A

1:All plated
2:Half plated

Version

Plating

0: Tin-plat
1: Gold Flash
2: Gold Plat3u"
3: Gold Plat5u"

Mold No.

Terminal

XYCO 东莞市轩业电子科技有限公司
TEL: 0769-8297 9981/2/3 http://www.XYCO.com.cn

2015-10-15		A	CHANGE HISTORY 變更歷史	KB9302-XXT6A	Devin	TOLERANCE 公差	DRAWING 設計者	Devin	KB9302-XXT6A		UNIT 單位		PRODUCT NAME 產品名稱	43031 PH3.0mm Wire To Wire Terminal-Male
DATE 日期	VER 版本	CHANGED NAME 修改後料號				DRAWING 變更者	.X=±0.30 .XX=±0.20 .XXX=±0.10	CHECKED 審查	Thomas	PART NO. 料號	mm			
							APPROVED 核准	William	DWG NO. 圖號	PE201205A	mm			