

DRAWING FOR CUSTOMER

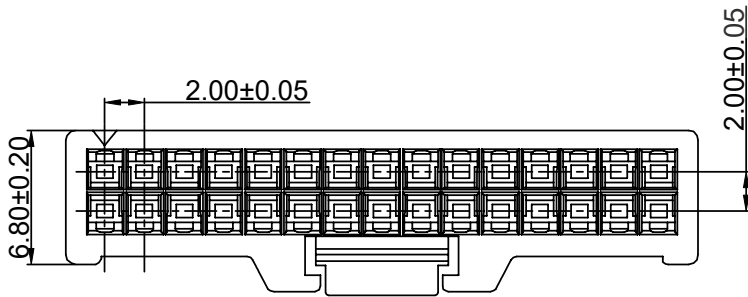
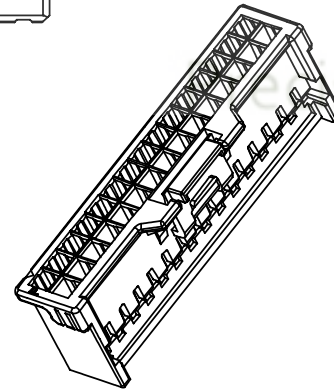
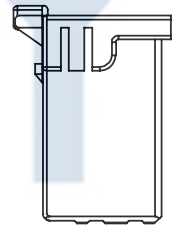
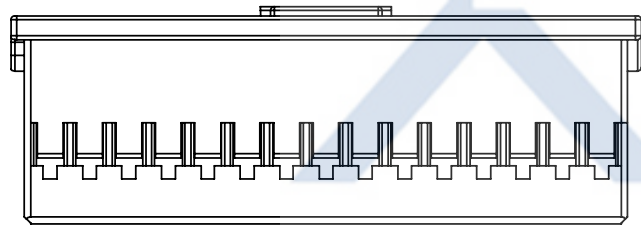
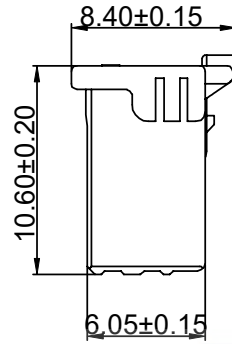
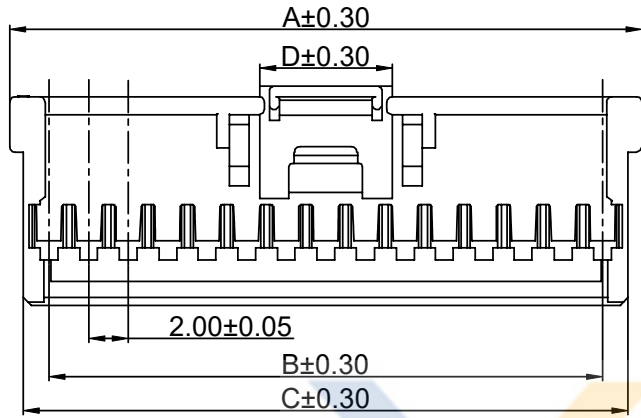
- SPEC.:**
 ●Rated Voltage: 250V AC,DCm
 ●Rated Current: 2A AC,DC
 ●Withstand Voltage: 800V AC/minute
 ●Contact Resistance: 20mΩ (MAX.)
 ●Insulation Resistance: 1,000MΩ (MIN.)
 ●Temperature Range: -25°C~+85°C

- Material:**
 ●Insulator: B1-PA66 UL94V-0
 Color: BGE-Beige

XY20002- D X X H L 2 A -XX -XX

Double row
 Pin No.
 Housing
 With Lock
 Color
 Material
 Version
 Mold No.

Poles	Dimensions(mm)			
	A	B	C	D
2X05	12.00	8.00	10.60	5.25
2X06	14.00	10.00	12.60	6.65
2X07	16.00	12.00	14.60	6.65
2X08	18.00	14.00	16.60	6.65
2X09	20.00	16.00	18.60	6.65
2X10	22.00	18.00	20.60	6.65
2X11	24.00	20.00	22.60	6.65
2X12	26.00	22.00	24.60	6.65
2X13	28.00	24.00	26.60	6.65
2X14	30.00	26.00	28.60	6.65
2X15	32.00	28.00	30.60	6.65
2X16	34.00	30.00	32.60	6.65
2X17	36.00	32.00	34.60	6.65
2X18	38.00	34.00	36.60	6.65
2X19	40.00	36.00	38.60	6.65
2X20	42.00	38.00	40.60	6.65



XYCO 东莞市轩业电子科技有限公司
 TEL: 0769-8297 9981/2/3 <http://www.XYCO.com.cn>

2018-05-12		A		XY20002-DXXHL2A-XX-XX	Devin	TOLERANCE 公差	DRAWING 設計者	Devin	XY20002-DXXHL2A-XX-XX	
DATE 日期	VER 版本	CHANGE HISTORY 變更歷史	CHANGED NAME 修改後料號	DRAWING 變更者		.X=±0.30 .XX=±0.20 .XXX=±0.10	CHECKED 審查	Thomas	PART NO. 料號	
							APPROVED 核准	William	DWG NO. 圖號	PE180511A

UNIT 單位	mm	PRODUCT NAME 產品名稱	501646 PH2.0mm Wire To Board Double row Housing With Lock
------------	----	----------------------	--