

# DRAWING FOR CUSTOMER

- SPEC.:
- Rated Voltage:250V AC,DC
  - Rated Current:3.0A AC,DC
  - Withstand Voltage:800V AC/minute
  - Contact Resistance:10mΩ max
  - Insulation Resistance:1000MΩ min
  - Temperature Range:-25°C~+85°C

- Terminal:
- Material:Phosphor Bronze C5191
  - Finish:Tin-plated,over Nickel
  - Applicable wire:AWG#22~28
  - Insulation O.D:1.60mm(max)
  - QTY.:10KPCS/Reel

KB934-X X T 6 A

- 1:All plated
- 2:Half plated

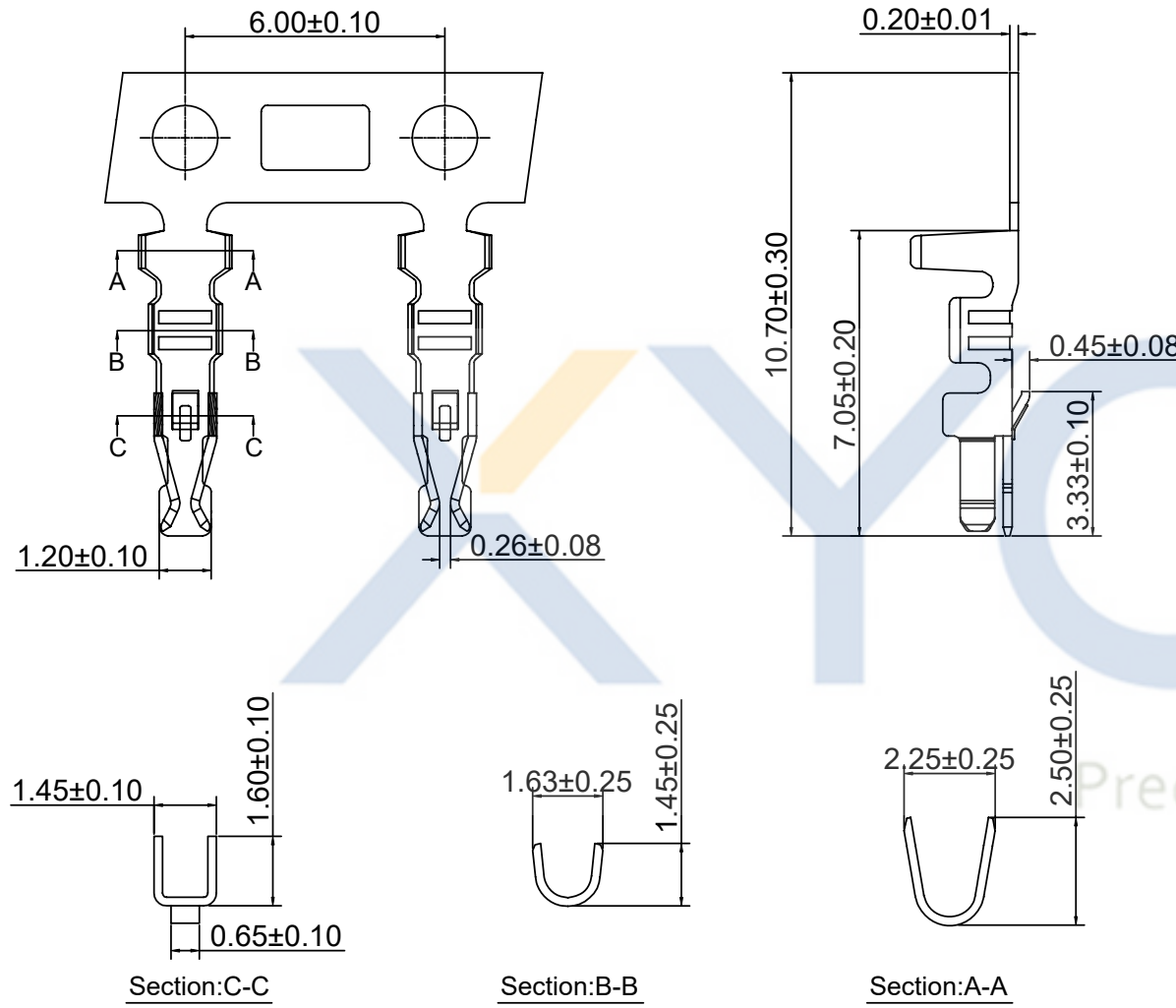
Plating

- 0: Tin-plated
- 1: Gold Flash
- 2: Gold Plated 3u"
- 3: Gold Plated 5u"

Version

Mold No.

Terminal



**XYCO** 东莞市轩业电子科技有限公司  
 TEL: 0769-8297 9981/2/3 <http://www.XYCO.com.cn>

2016-07-05	A	CHANGE HISTORY 變更歷史	KB934-XXT6A	Devin	TOLERANCE 公差	DRAWING 設計者	Devin	KB934-XXT6A			
DATE 日期	VER 版本				CHANGED NAME 修改後料號	DRAWING 變更者	.X=±0.30 .XX=±0.20 .XXX=±0.10	CHECKED 審查	Thomas	PART NO. 料號	UNIT 單位
								APPROVED 核准	William	DWG NO. 圖號	PE211002A

PRODUCT NAME 產品名稱	PA PH2.0mm Wire To Board Terminal
----------------------	--------------------------------------