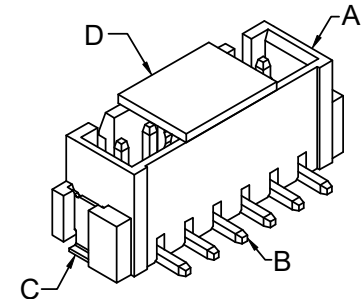
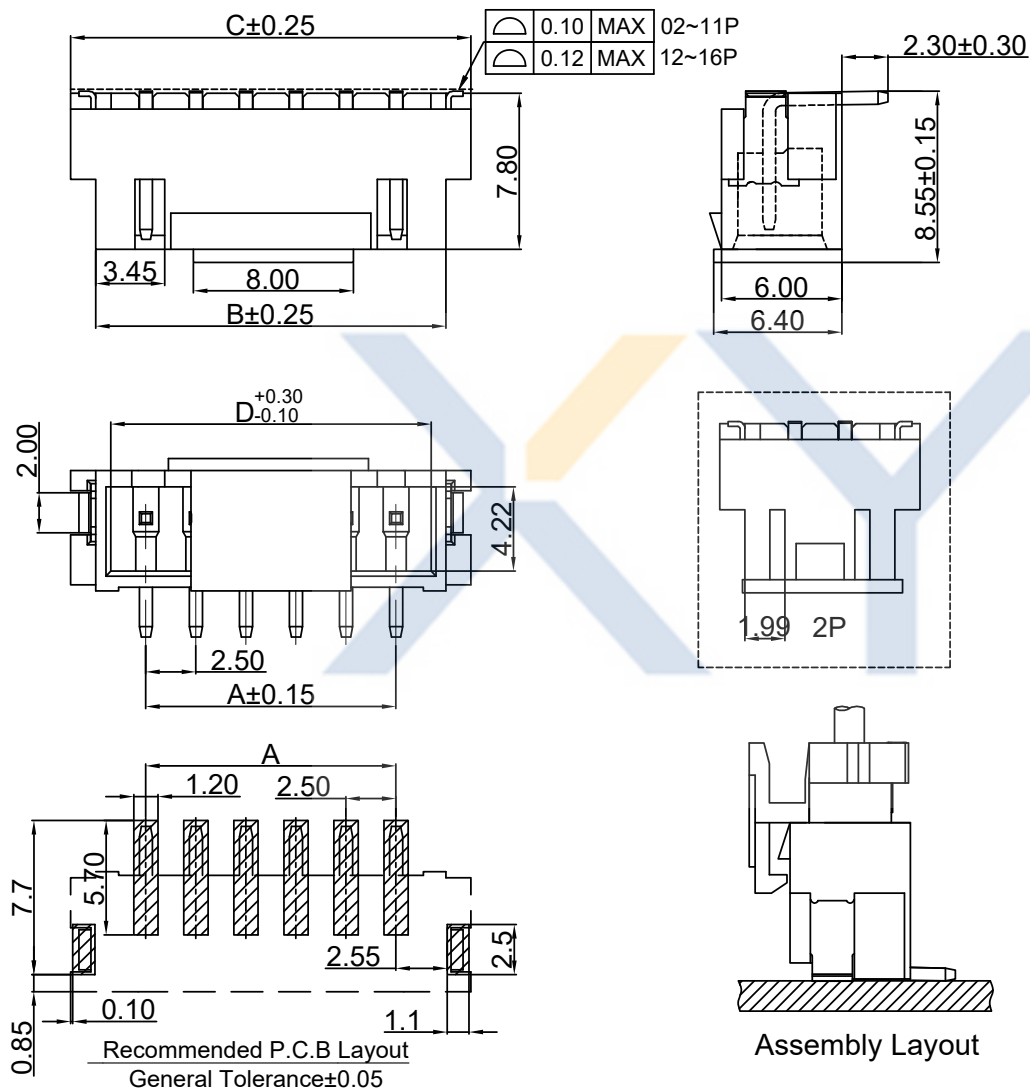


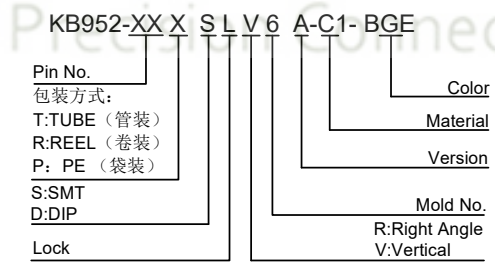
DRAWING FOR CUSTOMER



- SPEC.:**
 ●Rated Voltage: 250V AC, DC
 ●Rated Current: 3A AC, DC
 ●Withstand Voltage: 1000V AC/minute
 ●Contact Resistance: 20mΩ max
 ●Insulation Resistance: 1000MΩ min
 ●Temperature Range: -25°C ~ +85°C

- Material:**
 ●Insulator(A): C1-LCP UL94V-0
 Color: BGE-Beige
 ●Contact Pin(B): Brass
 Finish: Tin plated; over Nickel
 ●Solder Tab(C): Phosphor Bronze
 Finish: Tin plated; over Nickel
 ●Cap(D): C1-LCP UL94V-0
 Color: Beige

Poles	Dimensions(mm)			
	A	B	C	D
02	2.50	7.50	10.00	6.00
03	5.00	10.00	12.50	8.50
04	7.50	12.50	15.00	11.00
05	10.00	15.00	17.50	13.50
06	12.50	17.50	20.00	16.00
07	15.00	20.00	22.50	18.50
08	17.50	22.50	25.00	21.00
09	20.00	25.00	27.50	23.50
10	22.50	27.50	30.00	26.00
11	25.00	30.00	32.50	28.50
12	27.50	32.50	35.00	31.00
13	30.00	35.00	37.50	33.50
14	32.50	37.50	40.00	36.00
15	35.00	40.00	42.50	38.50
16	37.50	42.50	45.00	41.00



Assembly Layout

XYCO 东莞市轩业电子科技有限公司
 TEL: 0769-8297 9981/2/3 http://www.XYCO.com.cn

2017-09-10		A			KB952-XXXSLV6A-C1-BGE	Devin	TOLERANCE 公差	DRAWING 設計者	Devin	KB952-XXXSLV6A-C1-BGE		UNIT 單位	mm	PRODUCT NAME 產品名稱	XHB PH2.50mm Wire To Board
DATE 日期	VER 版本	CHANGE HISTORY 變更歷史	CHANGED NAME 修改後料號	DRAWING 變更者			.X=±0.30 .XX=±0.20 .XXX=±0.10	CHECKED 審查	Thomas	PART NO. 料號					SMT Vertical Wafer
								APPROVED 核准	William	DWG NO. 圖號	PE170906A				