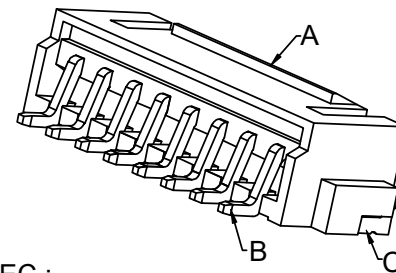


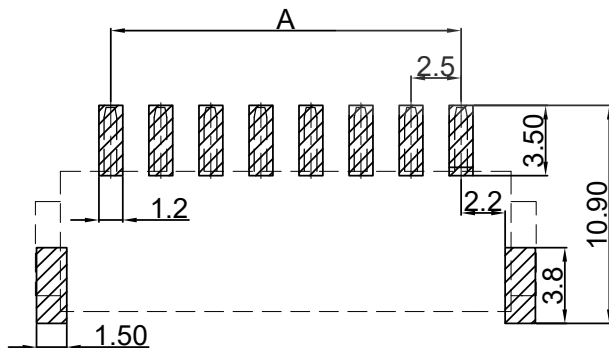
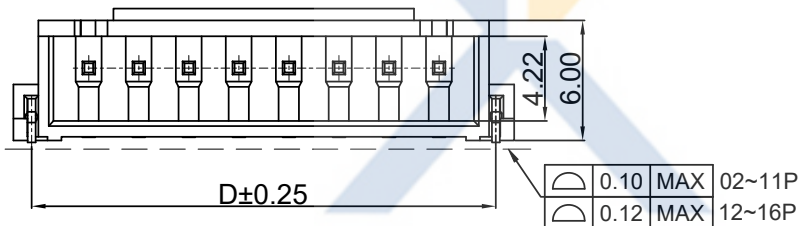
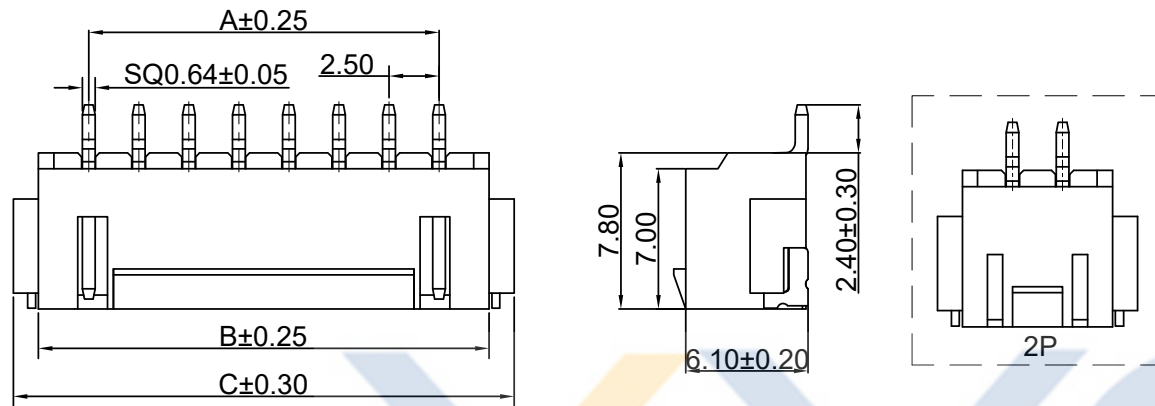
DRAWING FOR CUSTOMER



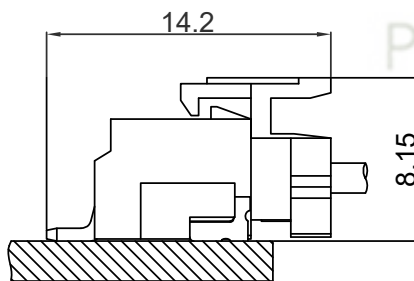
- SPEC.:
- Rated Voltage:250V AC,DC
 - Rated Current:3A AC,DC
 - Withstand Voltage:1000V AC/minute
 - Contact Resistance:20mΩ max
 - Insulation Resistance:1000MΩ min
 - Temperature Range:-25℃~+85℃

- Material:
- Insulator(A):C1-LCP UL94V-0
Color:BGE-Beige
 - Contact Pin(B): Brass
Finish:Tin plated;over Nickel
 - Solder Tab(C):Brass
Finish:Tin plated;over Nickel

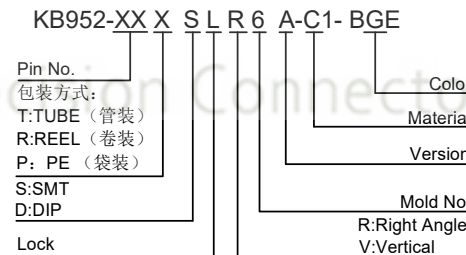
Poles	Dimensions(mm)			
	A	B	C	D
02	2.50	7.50	10.00	8.20
03	5.00	10.00	12.50	10.70
04	7.50	12.50	15.00	13.20
05	10.00	15.00	17.50	15.70
06	12.50	17.50	20.00	18.20
07	15.00	20.00	22.50	20.70
08	17.50	22.50	25.00	23.20
09	20.00	25.00	27.50	25.70
10	22.50	27.50	30.00	28.20
11	25.00	30.00	32.50	30.70
12	27.50	32.50	35.00	32.20
13	30.00	35.00	37.50	35.70
14	32.50	37.50	40.00	38.20
15	35.00	40.00	42.50	40.70
16	37.50	42.50	45.00	43.20



Recommended P.C.B Layout
General Tolerance±0.05



Assembly Layout



XYCO 东莞市轩业电子科技有限公司
TEL: 0769-8297 9981/2/3 <http://www.XYCO.com.cn>

DATE 日期	VER 版本	CHANGE HISTORY 變更歷史	CHANGED NAME 修改後料號	DRAWING 變更者	TOLERANCE 公差	DRAWING 設計者	Devin	KB952-XXXSLR6A-C1-BGE
2017-09-10	A		KB952-XXXSLR6A-C1-BGE	Devin	.X=±0.30 .XX=±0.20 .XXX=±0.10	CHECKED 審查	Thomas	PART NO. 料號
				William		APPROVED 核准	William	DWG NO. 圖號 PE170905A

UNIT 單位	mm	PRODUCT NAME 產品名稱	XHB PH2.50mm Wire To Board SMT Right Angle Wafer
UNIT	mm	PRODUCT NAME	XHB PH2.50mm Wire To Board SMT Right Angle Wafer