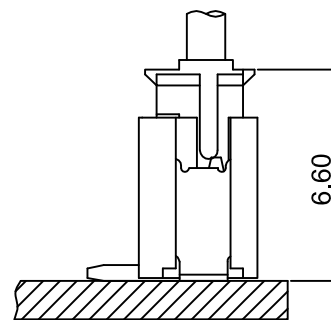
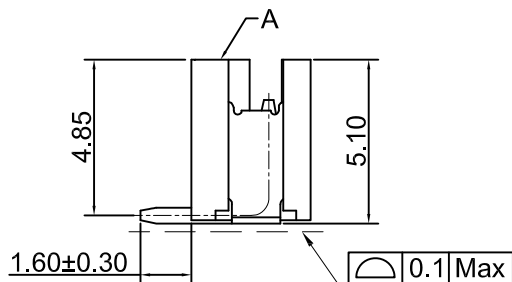
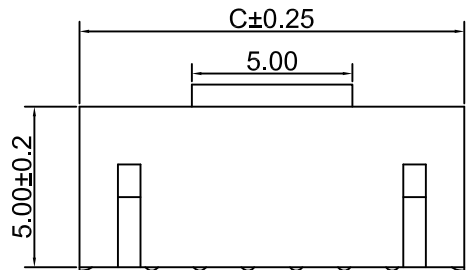
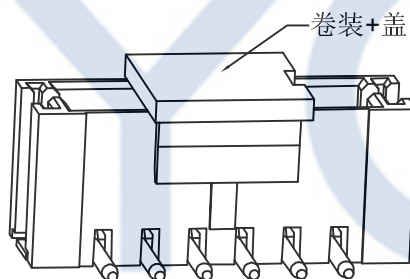
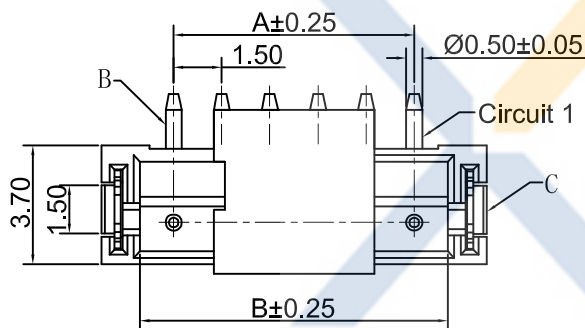


DRAWING FOR CUSTOMER



Assembly Layout



■SPEC.:

- Rated Voltage:50V AC,DC
- Rated Current:1.0A AC,DC
- Withstand Voltage:500V AC/minute
- Contact Resistance:20mΩ max
- Insulation Resistance:500MΩ min
- Temperature Range:-25℃~+105℃

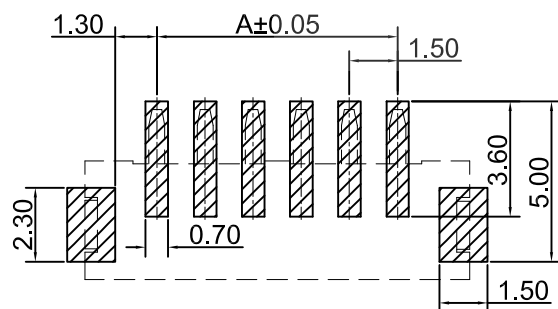
■Material :

- Insulation(A): C1-LCP UL94V-0
Color:BGE-Beige;BK-Black
- Contact Pin(B):Brass
Finish:Tin-Plated;over Nickel
- Solder Tab(C): Phosphor Bronze
Finish:Tin-Plated;over Nickel

KB924-XX X S R 6 A-C1- XX

Pin No.
 包装方式:
 T:TUBE (管装)
 R:REEL (卷装)
 P: PE (袋装)
 S:SMT
 D:DIP
 Color
 Material
 Version
 Mold No.
 R:Right Angle
 V:Vertical

Poles	Dimensions(mm)		
	A	B	C
02	1.50	3.60	6.00
03	3.00	5.10	7.50
04	4.50	6.60	9.00
05	6.00	8.10	10.50
06	7.50	9.60	12.00
07	9.00	11.10	13.50
08	10.50	12.60	15.00
09	12.00	14.10	16.50
10	13.50	15.60	18.00
11	15.00	17.10	19.50
12	16.50	18.60	21.00
13	18.00	20.10	22.50
14	19.50	21.60	24.00
15	21.00	23.10	25.50
16	22.50	24.60	27.00



SUGGESTED PCB LAYOUT

XYCO 东莞市轩业电子科技有限公司
 TEL: 0769-8297 9981/2/3 http://www.XYCO.com.cn

DATE 日期		VER 版本	CHANGE HISTORY 變更歷史	CHANGED NAME 修改後料號	DRAWING 變更者	TOLERANCE 公差	DRAWING 設計者	Devin	KB924-XXXSV6A-C1-XX
2015-10-15	A			KB924-XXXSV6A-C1-XX	Devin	.X=±0.30 .XX=±0.25 .XXX=±0.15	CHECKED 審查	Thomas	PART NO. 料號
							APPROVED 核准	William	DWG NO. 圖號
									PE1902003A

UNIT 單位	mm	PRODUCT NAME 產品名稱	ZH PH1.50mm Wire To Board SMT Vertical Wafer