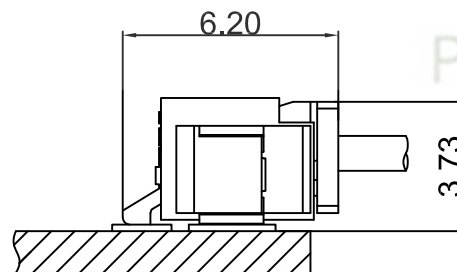
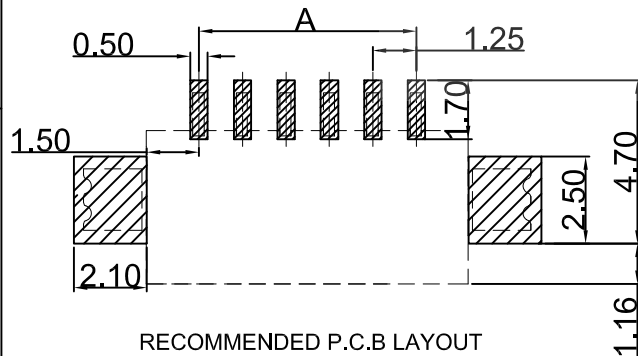
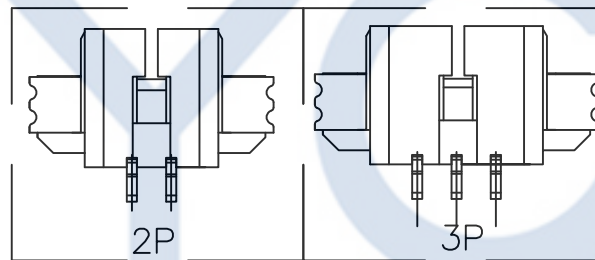
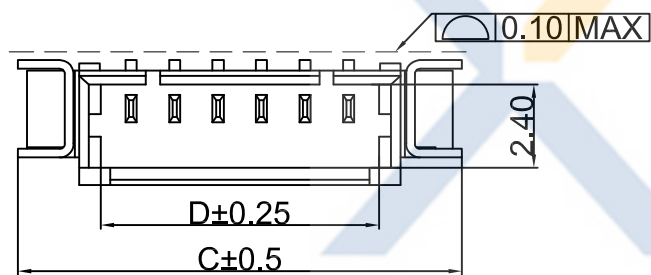
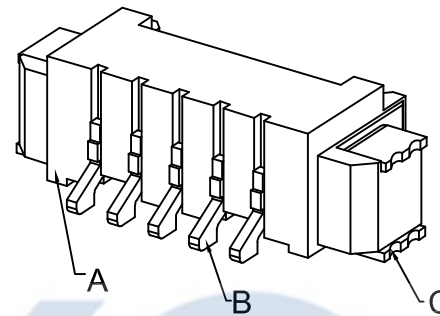
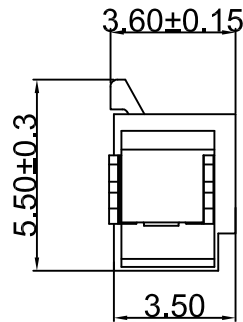
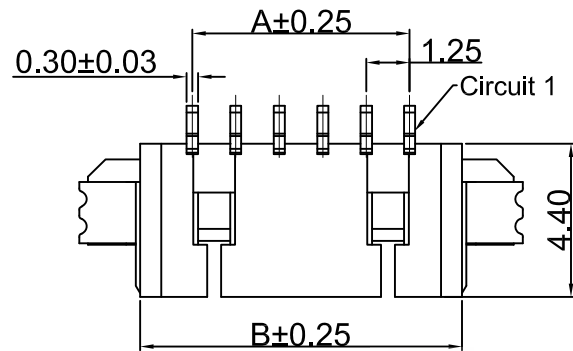


DRAWING FOR CUSTOMER



Assembly layout

- SPEC.:
- Rated Voltage:125V AC,DC
 - Rated Current:1A AC,DC
 - Withstand Voltage:500V AC/minute
 - Contact Resistance:20mΩ max
 - Insulation Resistance:100MΩ min
 - Temperature Range:-25°C~+105°C

- Material
- Insulator(A):C1-LCP UL94V-0
Color:BGE-Beige;BK-Black
 - Contact(B):Phosphor Bronze
Finish:Gold/Tin-Plated,over Nickel
 - Solder Tab(C):Brass
Finish:Tin-Plated,over Nickel

KB915-XX X S R 6 A-C1- XX

Pin No.
包裝方式:
T:TUBE (管裝)
R:REEL (卷裝)
P: PE (袋裝)
S:SMT
D:DIP

Color
Material
Version
Mold No.
R:Right Angle
V:Vertical

Poles	Dimensions (mm)			
	A	B	C	D
02	1.25	4.25	7.75	3.20
03	2.50	5.50	9.00	4.45
04	3.75	6.75	10.25	5.70
05	5.00	8.00	11.50	6.95
06	6.25	9.25	12.75	8.20
07	7.50	10.50	14.00	9.45
08	8.75	11.75	15.25	10.70
09	10.00	13.00	16.50	11.95
10	11.25	14.25	17.75	13.20
11	12.50	15.50	19.00	14.45
12	13.75	16.75	20.25	15.70
13	15.00	18.00	21.50	16.95
14	16.25	19.25	22.75	18.20
15	17.50	20.50	24.00	19.45
16	18.75	21.75	25.25	20.70

RECOMMENDED P.C.B LAYOUT
TOLERANCE UNSPECIFIED ±0.05mm

XYCO 东莞市轩业电子科技有限公司
TEL: 0769-8297 9981/2/3 http://www.XYCO.com.cn

2013-09-20		A			KB915-XXXSR6A-C1-XX	Devin	KB915-XXXSR6A-C1-XX		UNIT		PRODUCT NAME	
DATE	VER	CHANGE HISTORY	CHANGED NAME	DRAWING	TOLERANCE	DRAWING	PART NO.	料號	單位	mm	53261 PH1.25mm Wire To Board	
日期	版本	變更歷史	修改後料號	變更者	.X=±0.30 .XX=±0.20 .XXX=±0.10	設計者	DWG NO.	圖號	mm		SMT Right Angle Wafer	
1	2	3	4	5	6	7	8	9				