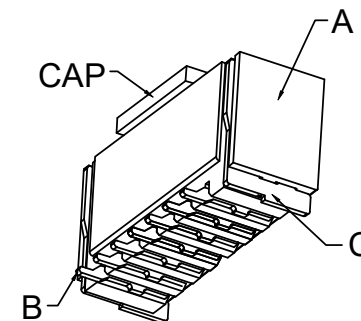
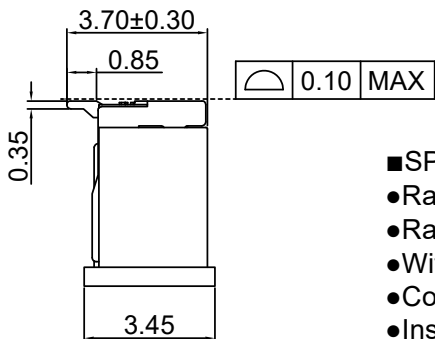
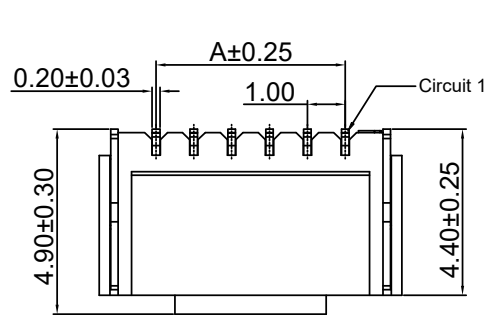


# DRAWING FOR CUSTOMER

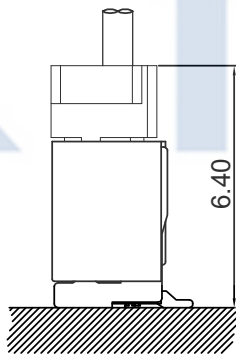
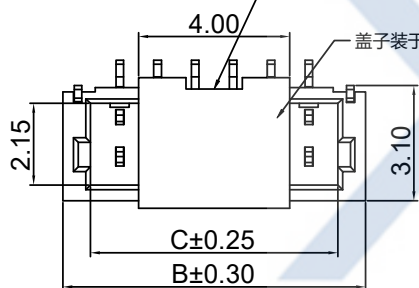


- SPEC.:
- Rated Voltage:50V AC,DC
  - Rated Current:1.0A AC,DC
  - Withstand Voltage:500V AC/minute
  - Contact Resistance:20mΩ max
  - Insulation Resistance:100MΩ min
  - Temperature Range:-25℃~+105℃

- Material:
- Insulator(A):C1-LCP UL94V-0  
Color:BGE-Beige;BK-Black
  - Contact Pin(B): Phosphor bronze  
Finish:Gold/Matted Sn-plated,over Nickel
  - Solder Tab(C):Phosphor bronze  
Finish:Matted Sn-plated,over Nickel
  - CAP:LCP UL94V-0;  
Color:Natural

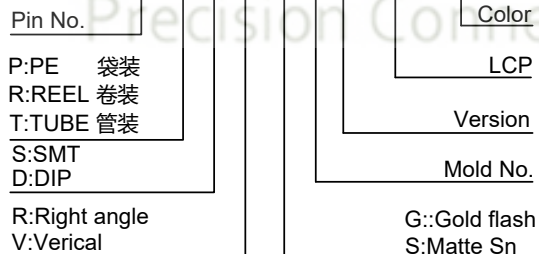
缺口为浇口工艺, 减少自动机加盖卡料, 缺口位置不固定, 也可以在另一侧.

盖子装于产品中心

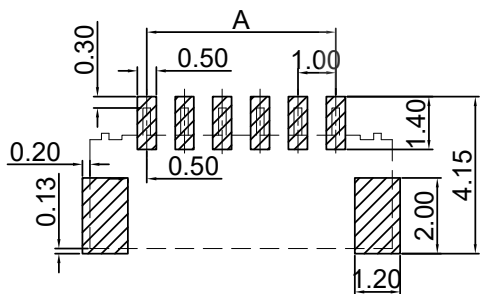


Assembly Layout

KB901-XXXSVX6A-C1-BGE



Poles	Dimensions(mm)		
	A	B	C
02	1.00	4.00	2.45
03	2.00	5.00	3.45
04	3.00	6.00	4.45
05	4.00	7.00	5.45
06	5.00	8.00	6.45
07	6.00	9.00	7.45
08	7.00	10.00	8.45
09	8.00	11.00	9.45
10	9.00	12.00	10.45
11	10.00	13.00	11.45
12	11.00	14.00	12.45
13	12.00	15.00	13.45
14	13.00	16.00	14.45
15	14.00	17.00	15.45
16	15.00	18.00	16.45
20	19.00	22.00	20.45



RECOMMENDED P.C.B LAYOUT  
TOLERANCE UNSPECIFIED ±0.05mm

**XYCO** 东莞市轩业电子科技有限公司  
TEL: 0769-8297 9981/2/3 http://www.XYCO.com.cn

DATE 日期	VER 版本	CHANGE HISTORY 變更歷史	CHANGED NAME 修改後料號	DRAWING 變更者	TOLERANCE 公差	DRAWING 設計者	Devin	KB901-XXXSVX6A-C1-BGE
2016-08-12	A		KB901-XXXSVX6A-C1-BGE	Devin	.X=±0.30 .XX=±0.20 .XXX=±0.10	CHECKED 審查	Thomas	PART NO. 料號
						APPROVED 核准	William	DWG NO. 圖號

UNIT 單位	mm	PRODUCT NAME 產品名稱	SHR1.0mm Wire To Board SMT Vertical Wafer