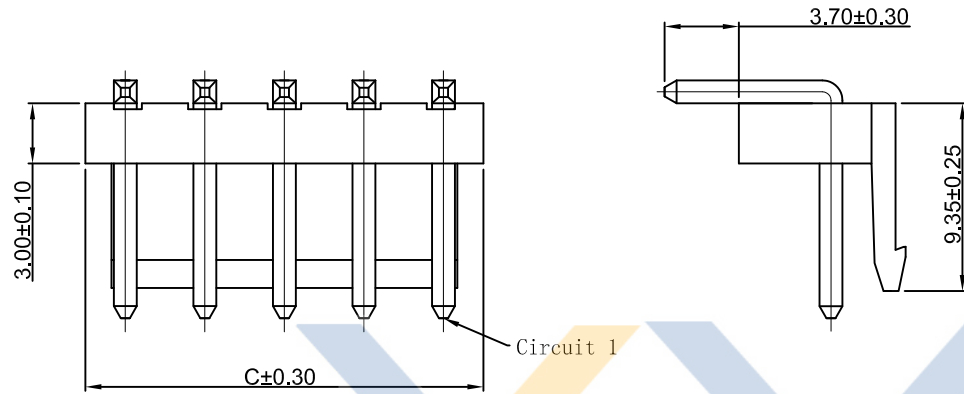


# DRAWING FOR CUSTOMER



KB962-XX X D R 6 A

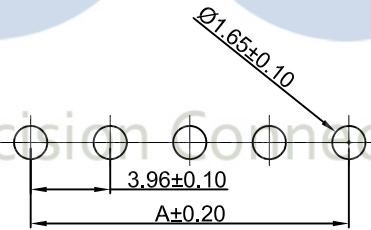
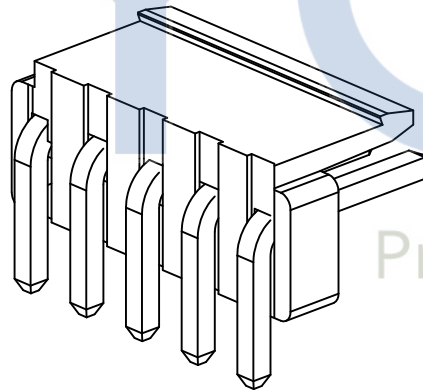
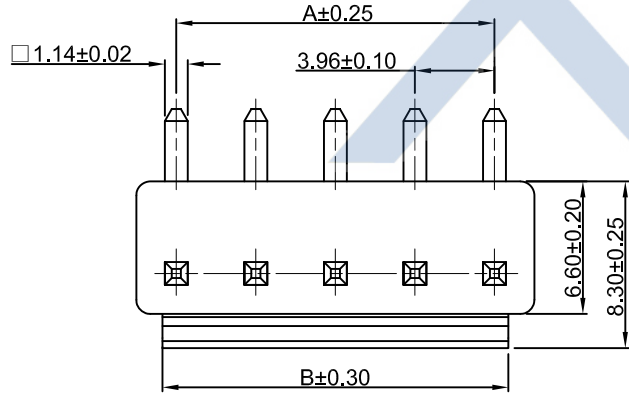
Pin No.      Version  
 Mold No.

包装方式:  
 T:TUBE (管装)  
 R:REEL (卷装)  
 P: PE (袋装)

R:Right Angle  
 V:Vertical  
 S:SMT  
 D:DIP

- SPEC.:
- Rated Voltage:250V AC,DC
  - Rated Current:7.0A AC,DC
  - Withstand Voltage:1500V AC/minute
  - Contact Resistance:10mΩ max
  - Insulation Resistance:1000MΩ min
  - Temperature Range:-25℃~+85℃

- Material
- Insulator:Nylon66 UL94-V0
  - Contact:Brass



SUGGESTED PCB LAYOUT  
(COMPONENT SIDE)

Circuits	Dimensions (mm)		
	A	B	C
02	3.96	5.00	7.94
03	7.92	8.96	11.90
04	11.88	12.92	15.82
05	15.84	16.88	19.82
06	19.80	20.84	23.78
07	23.76	24.80	27.74
08	27.72	28.76	31.70
09	31.68	32.76	35.66
10	35.64	36.68	39.62
11	39.60	40.64	43.58
12	43.56	44.60	47.54
13	47.52	48.56	51.80
14	51.48	52.52	55.46

## XYCO PRECISION CONNECTORS

TEL: 0769-8297 9981/2/3 <http://www.XYCO.com.cn>

DATE 日期	VER 版本	CHANGE HISTORY 變更歷史	CHANGED NAME 修改後料號	DRAWING 變更者	TOLERANCE 公差	DRAWING 設計者	John	KB962-XXXDR6A
2016-11-18	A		KB962-XXXDR6A	John	.X=±0.30 .XX=±0.20 .XXX=±0.10	CHECKED 審查	Thomas	PART NO. 料號
						APPROVED 核准	William	DWG NO. 圖號 PE1901002A

UNIT 單位	mm	PRODUCT NAME 產品名稱	JST VH3.96mm Wire To Board Dip Right Angle Wafer
mm			