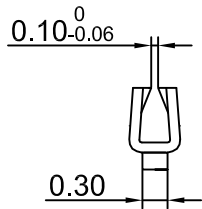
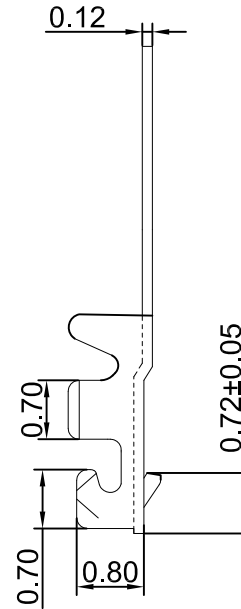
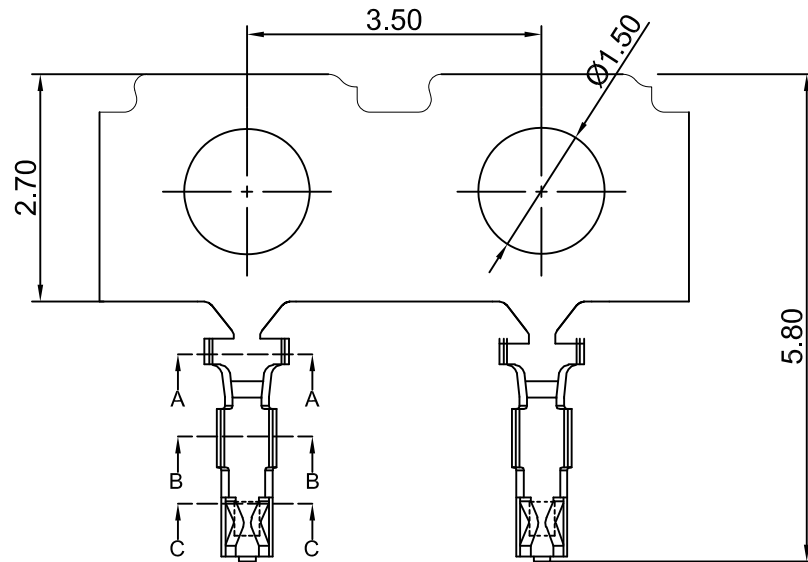
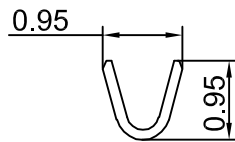


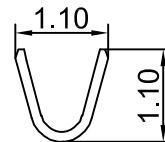
DRAWING FOR CUSTOMER



Section:C-C



Section:B-B



Section:A-A

■SPEC.:

- Rated Voltage: 30V AC,DC
- Rated Current: 0.5A AC,DC
- Withstand Voltage: 200V AC/minute
- Contact Resistance: 20mΩ max
- Insulation Resistance: 100MΩ min
- Temperature Range: -25°C~+85°C

■Terminal:

- Material: Phosphor Bronze
- Finish: Tin/Gold plated ;Over Nickel
- Applicable wire: AWG#30~34
- QTY.: 20KPCS/Reel

KB802-XX T 6 A

10: Tin plated
11: Gold plated

Version

Terminal

Mold No.

XYCO 东莞市轩业电子科技有限公司
TEL: 0769-8297 9981/2/3 <http://www.XYCO.com.cn>

DATE 日期	VER 版本	CHANGE HISTORY 變更歷史	CHANGED NAME 修改後料號	DRAWING 變更者	TOLERANCE 公差 .X=±0.30 .XX=±0.20 .XXX=±0.10	DRAWING 設計者 Devin	CHECKED 審查 Thomas	APPROVED 核准 William	KB802-XXT6A
2016-03-30	A		KB802-XXT6A	Devin					PART NO. 料號
									DWG NO. 圖號
									PE200703A

UNIT 單位	mm	PRODUCT NAME 產品名稱	SUH PH0.80mm Wire to Board Terminal
------------	----	----------------------	--