

DRAWING FOR CUSTOMER

KB962-XX X D R 6 A

Pin No.

包裝方式:

T:TUBE (管裝)

R:REEL (卷裝)

P: PE (袋裝)

Version

Mold No.

R:Right Angle

V:Vertical

S:SMT

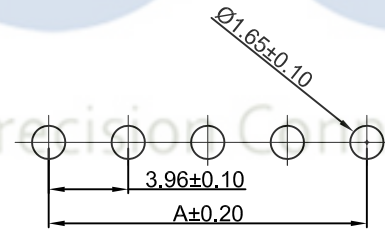
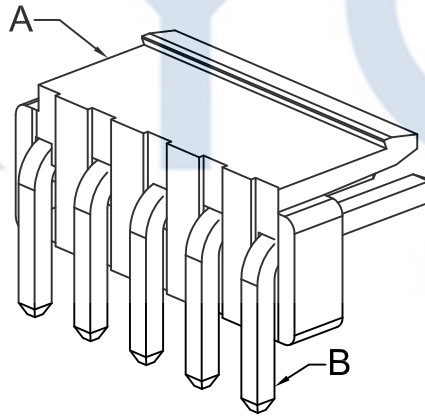
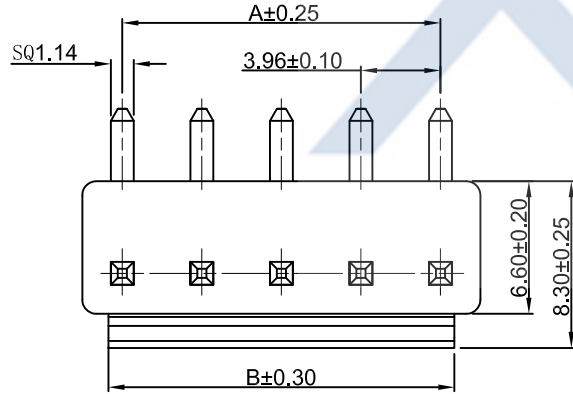
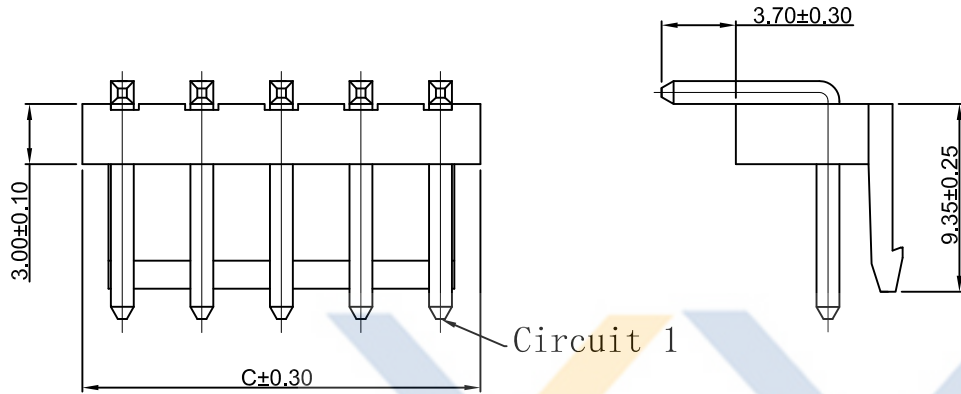
D:DIP

■SPEC.:

- Rated Voltage:250V AC,DC
- Rated Current:7A AC,DC
- Withstand Voltage:1500V AC/minute
- Contact Resistance:10mΩ max
- Insulation Resistance:1000MΩ min
- Temperature Range:-25℃~+85℃

■Material:

- Insulator(A):PA66 UL94V-0
Color:White
- Contact Pin(B):Brass
Finish:Tin plated,over Nickel



SUGGESTED PCB LAYOUT
(COMPONENT SIDE)

Poles	Dimensions (mm)		
	A	B	C
02	3.96	5.00	7.94
03	7.92	8.96	11.90
04	11.88	12.92	15.82
05	15.84	16.88	19.82
06	19.80	20.84	23.78
07	23.76	24.80	27.74
08	27.72	28.76	31.70
09	31.68	32.76	35.66
10	35.64	36.68	39.62
11	39.60	40.64	43.58
12	43.56	44.60	47.54
13	47.52	48.56	51.80
14	51.48	52.52	55.46

XYCO 东莞市轩业电子科技有限公司
TEL: 0769-8297 9981/2/3 <http://www.XYCO.com.cn>

				TOLERANCE 公差		DRAWING 設計者		Devin		KB962-XXXDR6A							
2016-11-18	A	CHANGE HISTORY 變更歷史	KB962-XXXDR6A	Devin	.X=±0.30	CHECKED 審查	Thomas	PART NO. 料號		UNIT 單位	mm	PRODUCT NAME 產品名稱		VH3.96mm Wire To Board			
DATE 日期	VER 版本				.XX=±0.20	APPROVED 核准	William	DWG NO. 圖號	PE1901002A	Dip Right Angle Wafer							
					.XXX=±0.10												