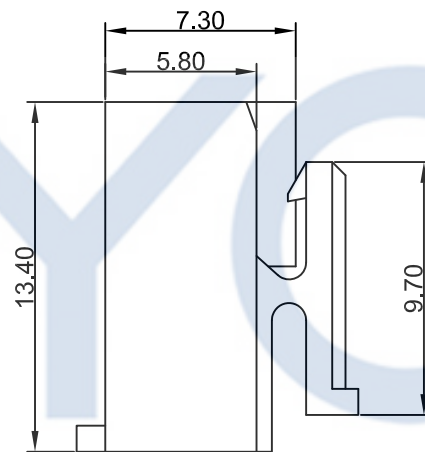
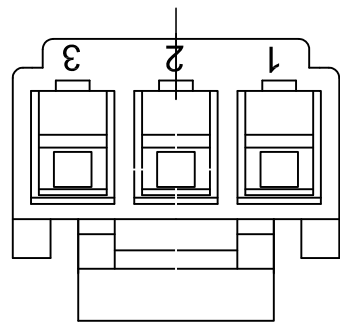
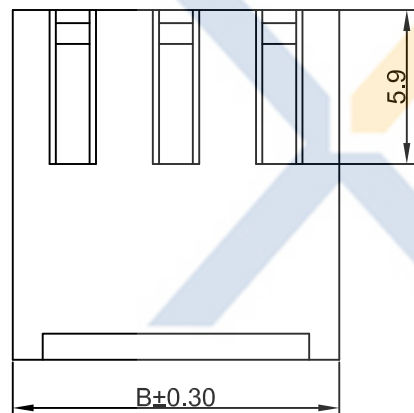
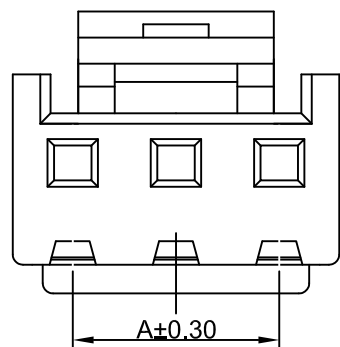


DRAWING FOR CUSTOMER



- SPEC.:
- Rated Voltage:250V AC,DC
 - Rated Current:7A AC,DC
 - Withstand Voltage:1500V AC/minute
 - Contact Resistance:10mΩ max
 - Insulation Resistance:1000MΩ min
 - Temperature Range:-25℃~+85℃

- Material:
- Insulator:PA66 UL94V-0
 - Color:White

KB962- XX H L 6 A

- Pin No. Version
 H:Housing Mold No.
 With Lock

Poles	Dimensions(mm)	
	A	B
02	3.96	8.56
03	7.92	12.52
04	11.88	16.48
05	15.84	20.44
06	19.80	24.40
07	23.76	28.36
08	27.72	32.32
09	31.68	36.28
10	35.64	40.24
11	39.60	44.20
12	43.56	48.16
13	47.52	52.12
14	51.48	56.08
15	55.44	60.04
16	59.40	64.00

XYCO 东莞市轩业电子科技有限公司
 TEL: 0769-8297 9981/2/3 http://www.XYCO.com.cn

2013-07-30		A	CHANGE HISTORY 變更歷史	KB962-XXHL6A	Devin	TOLERANCE 公差	DRAWING 設計者	Devin	KB962-XXHL6A		UNIT 單位		PRODUCT NAME 產品名稱	VH PH3.96mm Wire To Board Housing With Lock
DATE 日期	VER 版本	CHANGED NAME 修改後料號				DRAWING 變更者	.X=±0.30 .XX=±0.20 .XXX=±0.10	CHECKED 審查	Thomas	PART NO. 料號	mm			
							APPROVED 核准	William	DWG NO. 圖號	PE220201A				