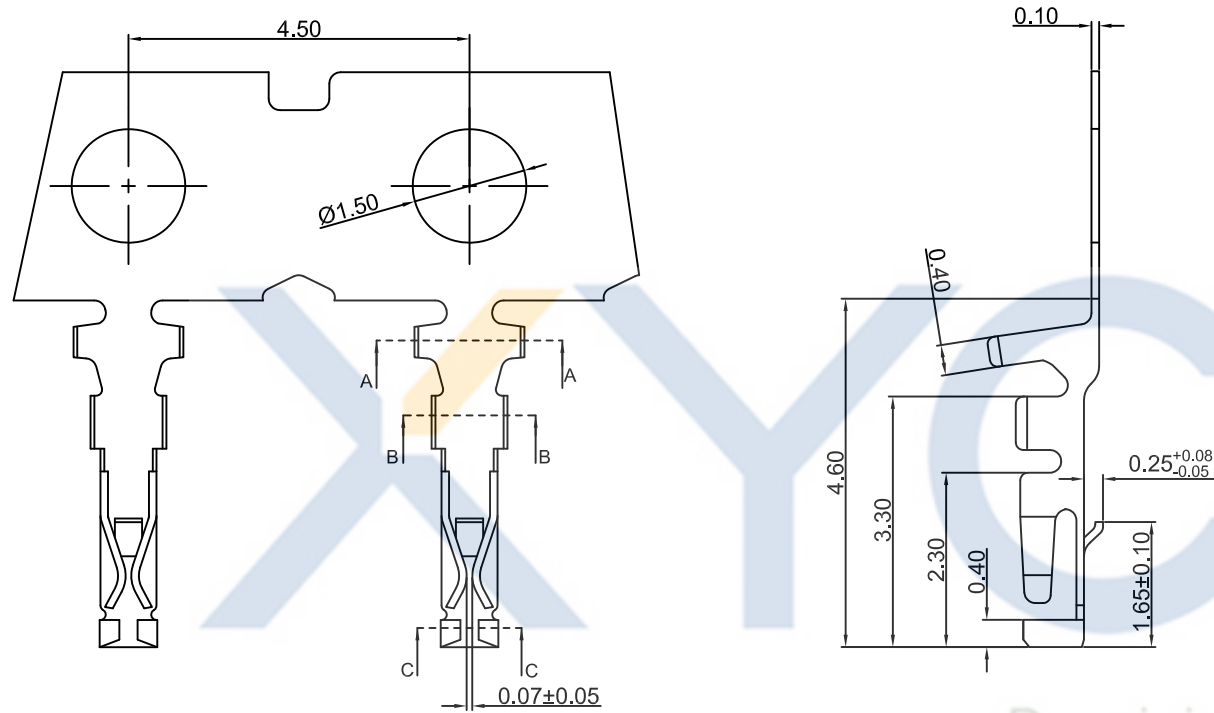


DRAWING FOR CUSTOMER



■SPEC.:

- Rated Voltage:50V AC,DC
- Rated Current:1A AC,DC
- Withstand Voltage:500V AC/minute
- Contact Resistance:20mΩ max
- Insulation Resistance:100MΩ min
- Temperature Range:-25℃~+85℃

■Terminal:

- Material: Phosphor Bronze
- Finish:Gold-plated,over Nickel
- Applicable wire:AWG#28~#32
- QTY.:20KPCS/Plate

KB9901-XXT1C

- 1:All plated
- 2:Half plated

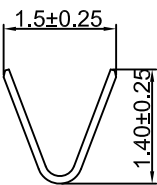
Plating

- 0: Tin-plat
- 1: Gold Plat1 u"
- 2: Gold Plat3 u"
- 3: Gold Plat5 u"

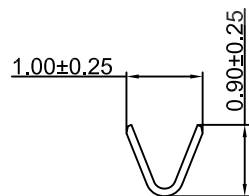
Version

Mold No.

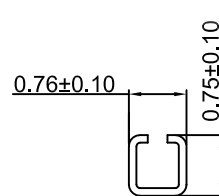
Terminal



Section:A-A



Section:B-B



Section:C-C

XYCO 东莞市轩业电子科技有限公司
TEL: 0769-8297 9981/2/3 <http://www.XYCO.com.cn>

					TOLERANCE 公差	DRAWING 設計者	Devin	KB9901-XXT1C	
2013-09-28	C	尺寸修改	KB9901-XXT1C	Devin	.X \pm 0.30 .XX \pm 0.20 .XXX \pm 0.10	CHECKED 審查	Thomas	PART NO. 料號	
DATE 日期	VER 版本	CHANGE HISTORY 變更歷史	CHANGED NAME 修改後料號	DRAWING 變更者		APPROVED 核准	William	DWG NO. 圖號	PE4201C

UNIT 單位	mm	PRODUCT NAME 產品名稱	88252 PH1.0mm Wire To Board Terminal
------------	----	----------------------	---